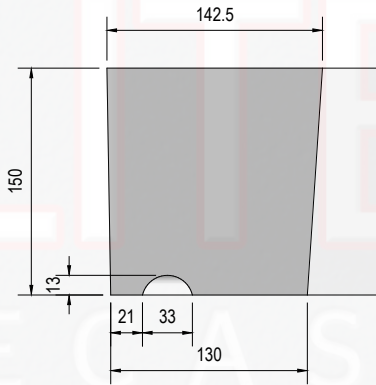
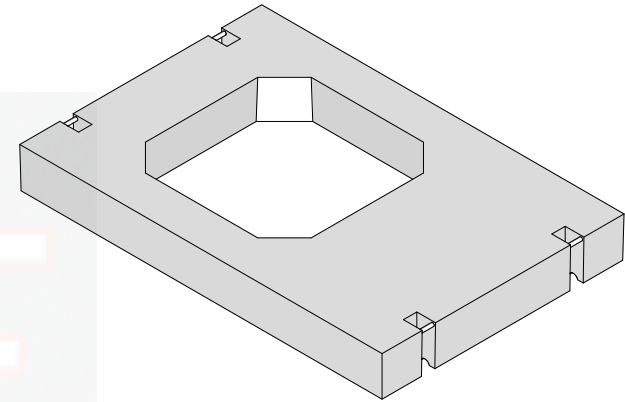


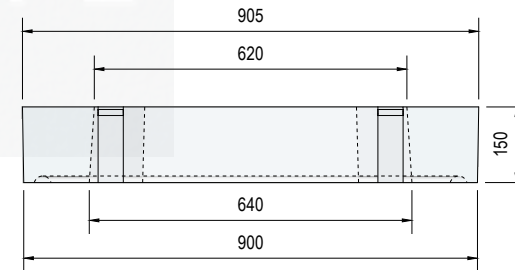
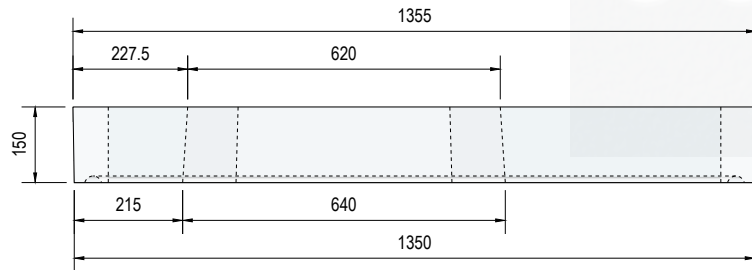
Lifting Point with M12 Rebar (x4)



Section Profile (scale 1:5)



Approx. Weight : 291kg each



					TITLE 1200mm x 750mm x 150mm House Inspection Chamber (HIC) Heavy Duty Cover Slab Elite Product Code : HIC1200HDCS				ELITE PRECAST CONCRETE LTD HALESFIELD 9, TELFORD SHROPSHIRE TF7 4QW www.eliteprecast.co.uk											
O	13.10.23	First Issue.	CTC	PJC			DRN	CTC	CHKD	PJC	DATE	13-10-23		SIZE	A4	SCALE	1:15	DRG	EPC-HIC-004	REV
REV	DATE	REASON FOR ISSUE	DRN	APP																