

1. Handling

- Unit Volume / Weight

Unit Ref : **800 x 800 x 450 Base Sleeper**
 Volume : **0.138 m³**
 Weight : **325 kg**

- Weight is based on 2,350 kg/m³
- Lifting system is by means of the 2 no. ø35mm holes located in the sides of the base sleeper.

IMPORTANT NOTE :

Prior to lifting older / pre-used blocks, check the lifting holes for wear / corrosion and check the block for cracks. If the block is cracked or the hole is worn / damaged, it could fail when lifting.

2. Concrete

- Characteristic 28 day cube strength = 50 N/mm² min.
- Concrete is Class A1 Fire Resistant in accordance with clause 4.3.4.4 of EN 13369

3. Manufacture

- Manufactured to : BS EN 13369 : 2013
- Tolerances to : BS EN 13670 : 2009

4. Physical & Chemical Properties

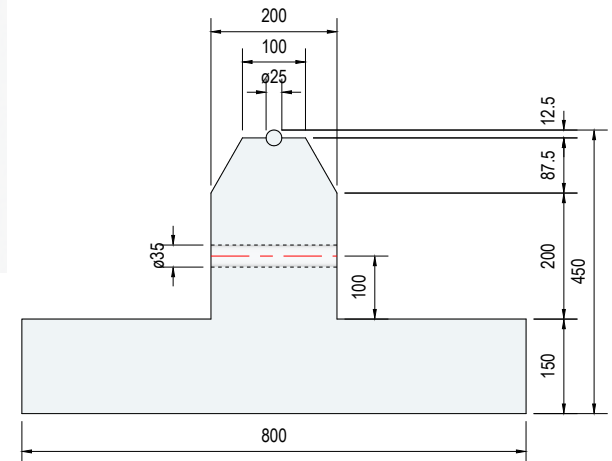
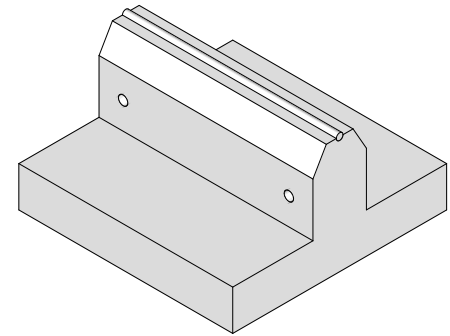
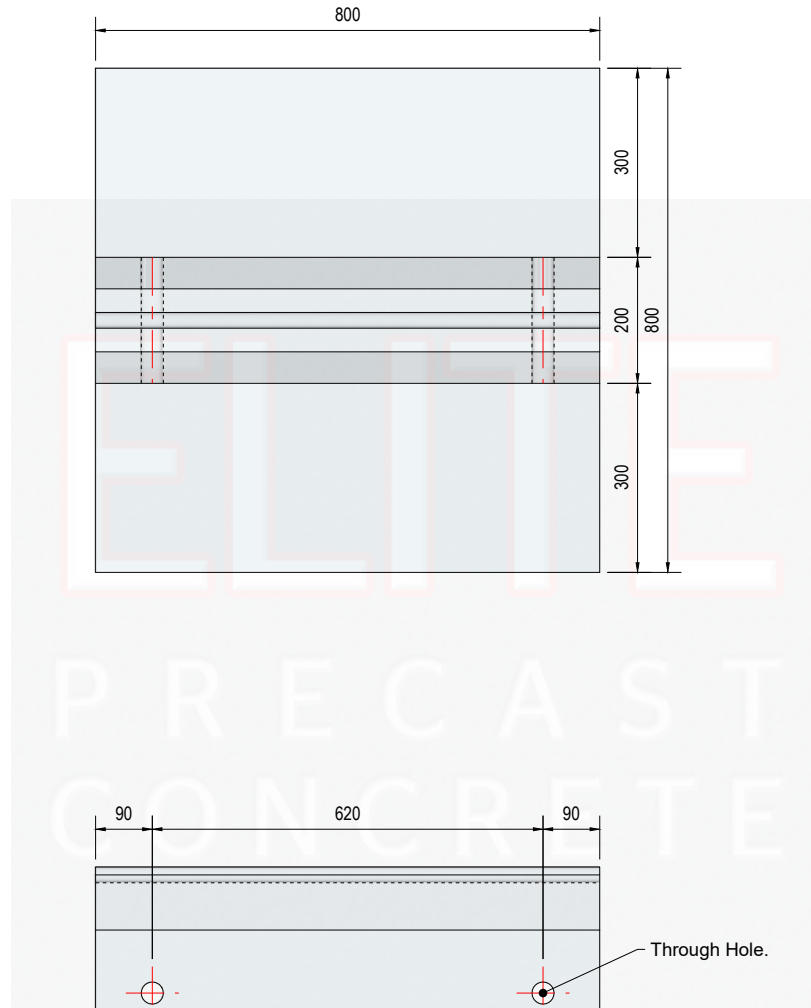
- Appearance : Grey in Colour
- Other Chemical Properties : Not Applicable

5. Design

- Design Life : >100 years

6. Manufacture Tolerances

- Length ±5mm
- Width ±5mm
- Height ±5mm



O	30.10.13	First Issue.	CTC	RMD
REV	DATE	REASON FOR ISSUE	DRN	APP

TITLE		800mm x 800mm x 450mm Base Sleeper		
Elite Product Code :				
DRN	CTC	CHKD	RMD	DATE
				30-10-13

ELITE PRECAST CONCRETE LTD
 HALESFIELD 9, TELFORD
 SHROPSHIRE TF7 4QW
 www.eliteprecast.co.uk



SIZE	A4	SCALE	1:12	DRG	EPC-BSP-006	REV	O
------	----	-------	------	-----	-------------	-----	---