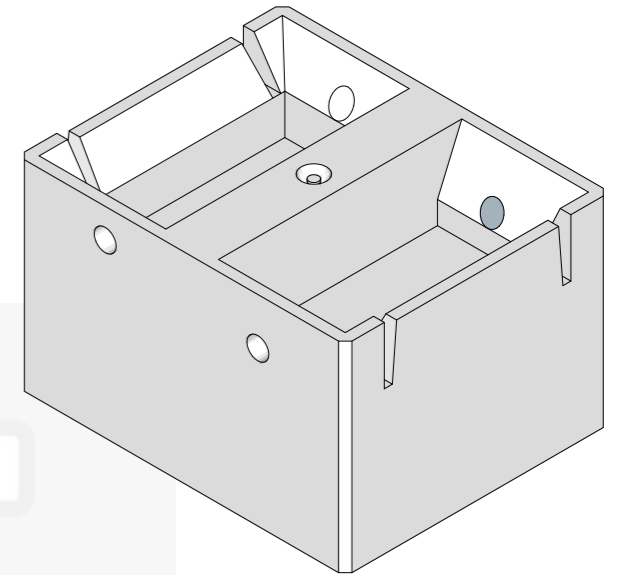
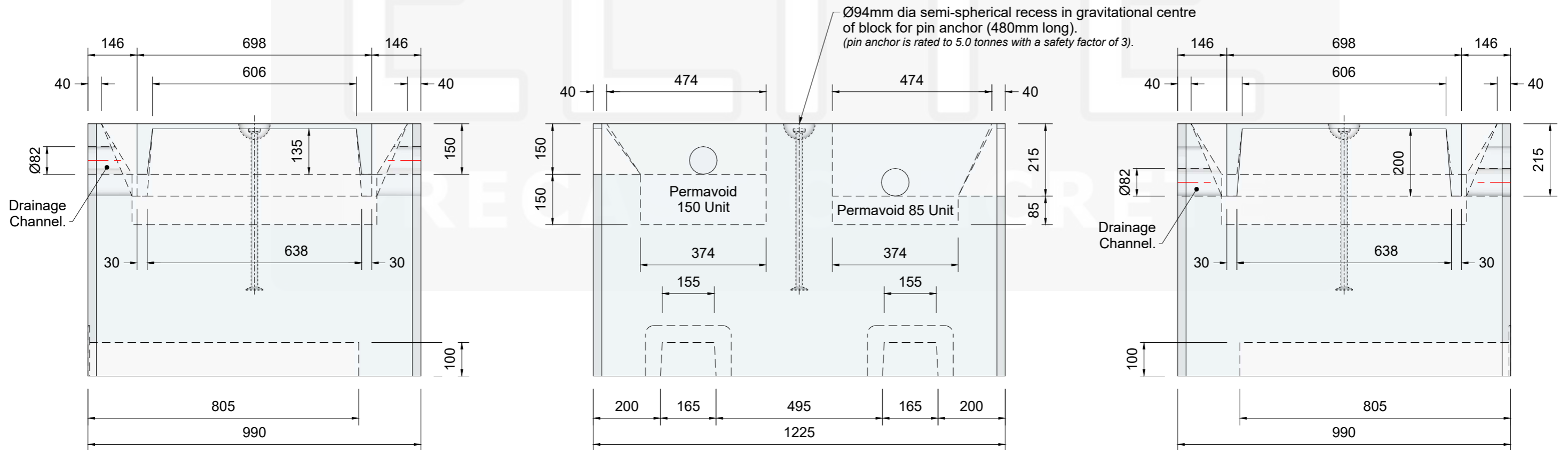
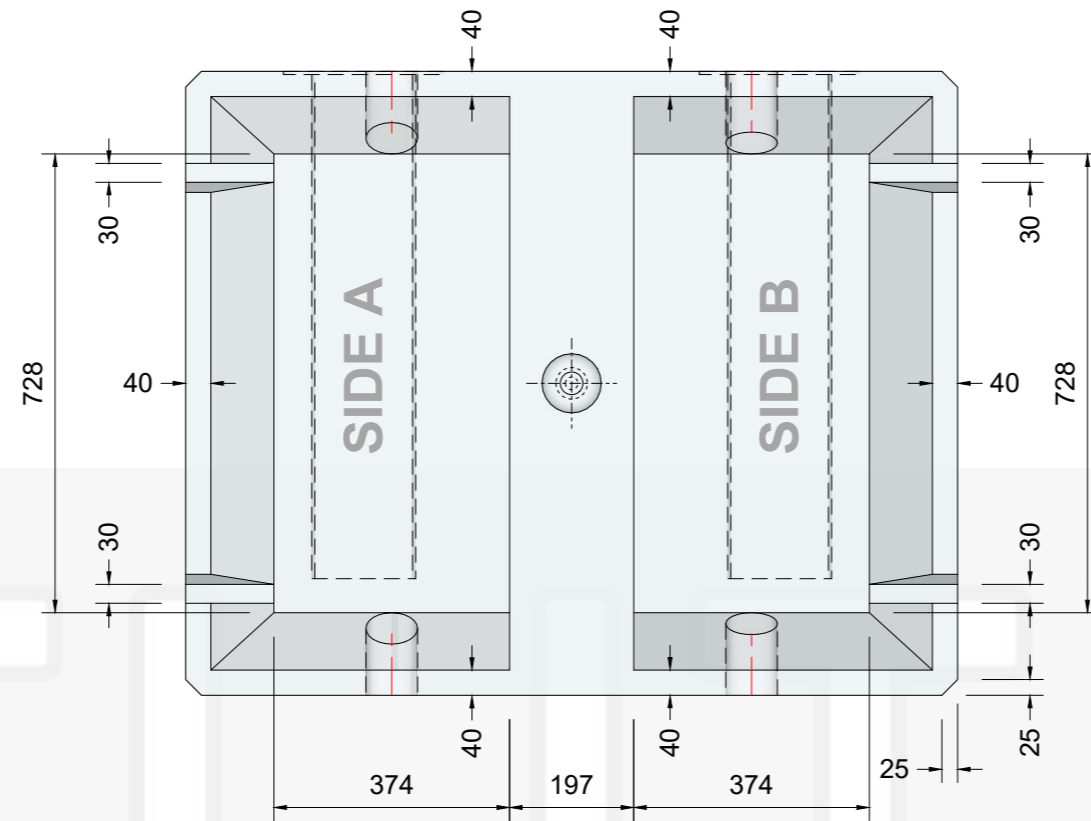


Unit Ref	Volume (m³)	Weight (kg)
KS2000P	0.685	1610



\* Please note some details are omitted for clarity.



REV	DATE	REASON FOR ISSUE	DRN	APP	REV	DATE	REASON FOR ISSUE	DRN	APP	TITLE			ELITE PRECAST CONCRETE LTD HALESFIELD 9, TELFORD SHROPSHIRE TF7 4QW											
					C	20.05.20	Drawing amended to suit customer requirements.	CTC	RMD	<b>Security Block Planter Unit</b> 1225mm x 990mm x 750mm Elite Product Code : KS2000P			ELITE PRECAST CONCRETE LTD HALESFIELD 9, TELFORD SHROPSHIRE TF7 4QW											
					B	19.05.20	Permavoid 150 replaced with duplicate Permavoid 85 unit & drainage slots.	CTC	RMD															
					A	18.05.20	Wall increased in thickness from 30 to 40mm. Longer lifting pin added.	CTC	RMD															
					O	11.05.20	For Information.	CTC	RMD															
											DRN	CTC	CHKD	RMD	DATE	11-05-20	SIZE	A3	SCALE	1:12	DRG	EPC-SPL-007	REV	C