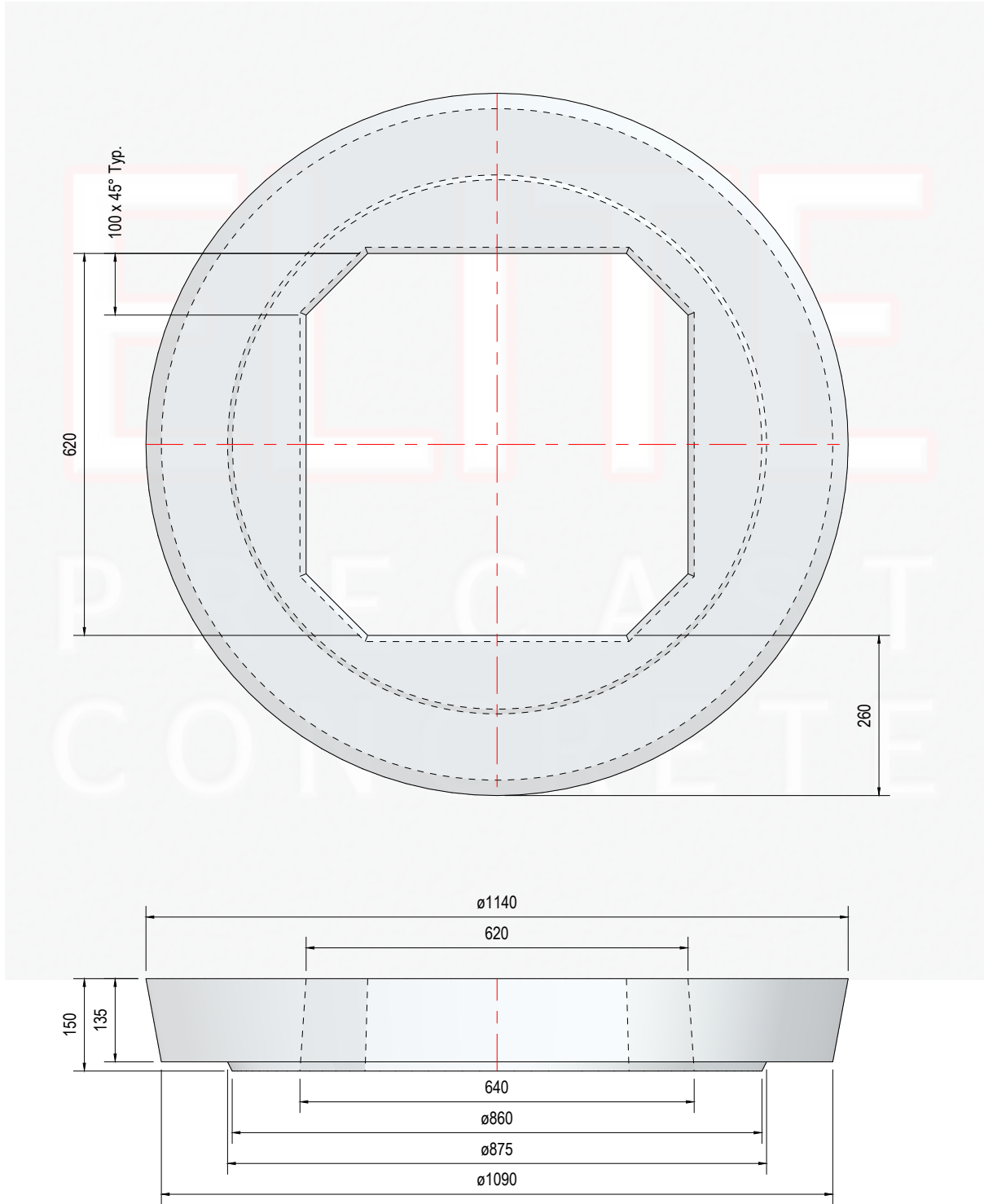


ALL Elite Precast Manhole Cover Slabs are  
Manufactured using high strength (50N/mm<sup>2</sup>) concrete

Weight : 200kg Approx.



REV	DATE	REASON FOR ISSUE	DRN	APP	REV	DATE	REASON FOR ISSUE	DRN	APP
					O	18.11.16	For Information.		
								CTC	RMD
TITLE					ELITE PRECAST CONCRETE LTD HALESFIELD 9, TELFORD SHROPSHIRE TF7 4QW www.eliteprecast.co.uk				
Cover Slab - 900mm x 150mm x 600mm Square Opening									
		DRN	CTC	CHKD	RMD	DATE	18-11-16	SIZE	A4
						SCALE	1:10	DRG	EPC-CS-001
								REV	O