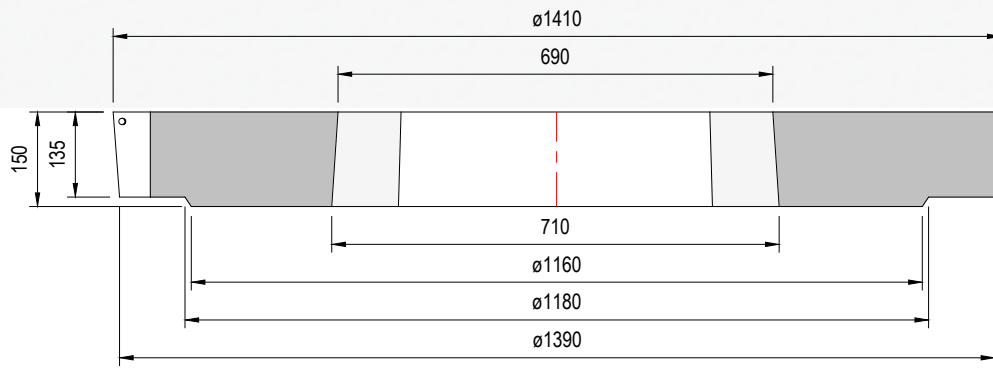
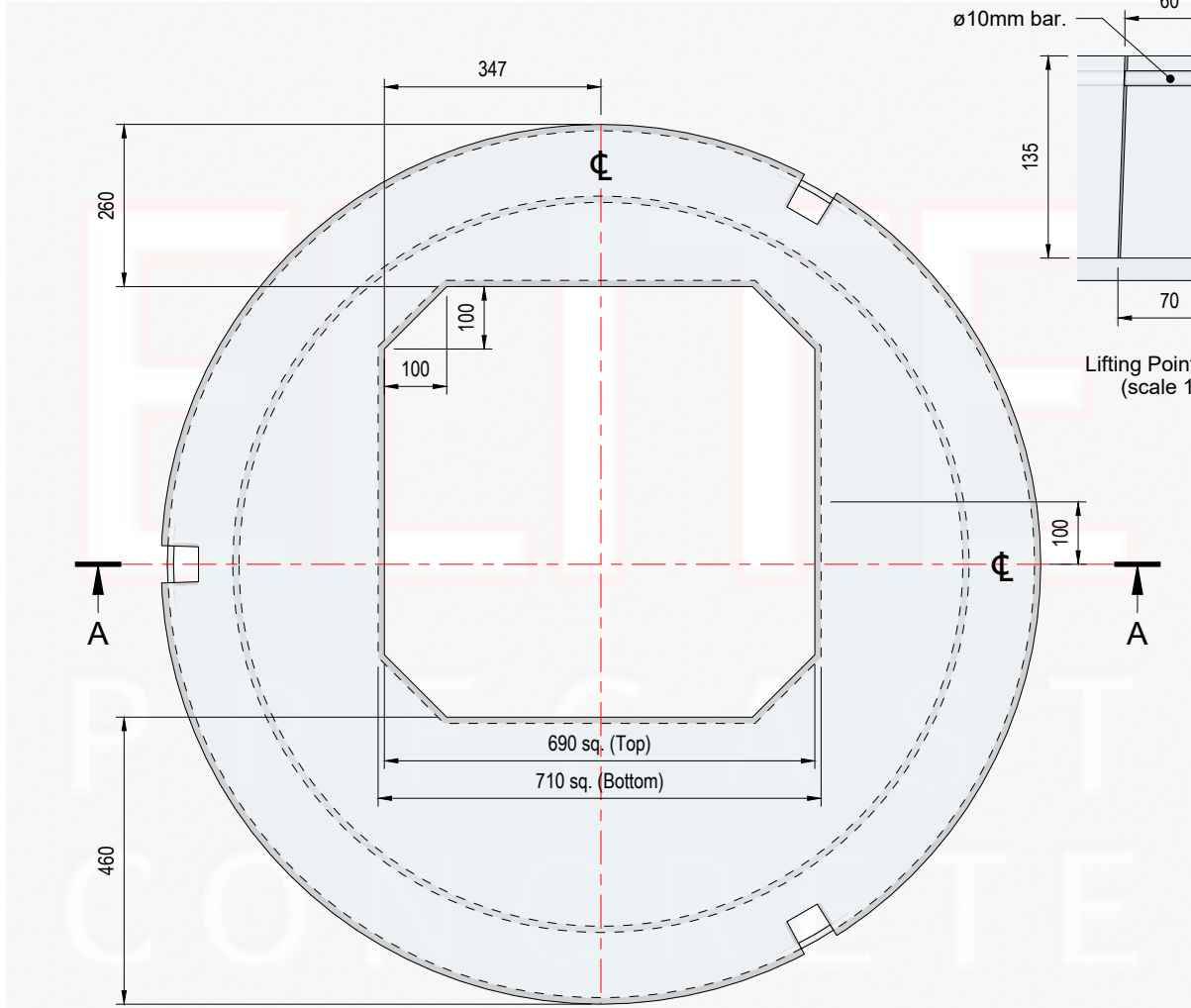
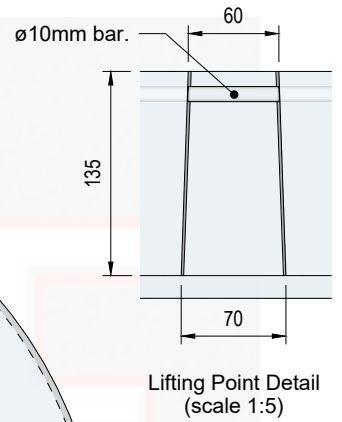
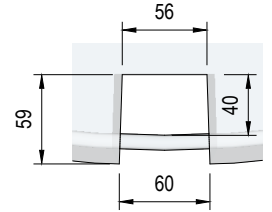


Weight of Slab : 364kg Approx.
(including rebar)



Part Section on Arrow A - A

REV	DATE	REASON FOR ISSUE	DRN	APP	REV	DATE	REASON FOR ISSUE	DRN	APP						
					O	16.12.24	For Information.	CTC	PR						
TITLE					ELITE PRECAST CONCRETE LTD HALESFIELD 9, TELFORD SHROPSHIRE TF7 4QW www.eliteprecast.co.uk										
Cover Slab - 1200mm x 150mm x 675mm Square Opening															
		DRN	CTC	CHKD	PR	DATE	16-12-24	SIZE	A4	SCALE	1:12	DRG	EPC-1200-675	REV	O