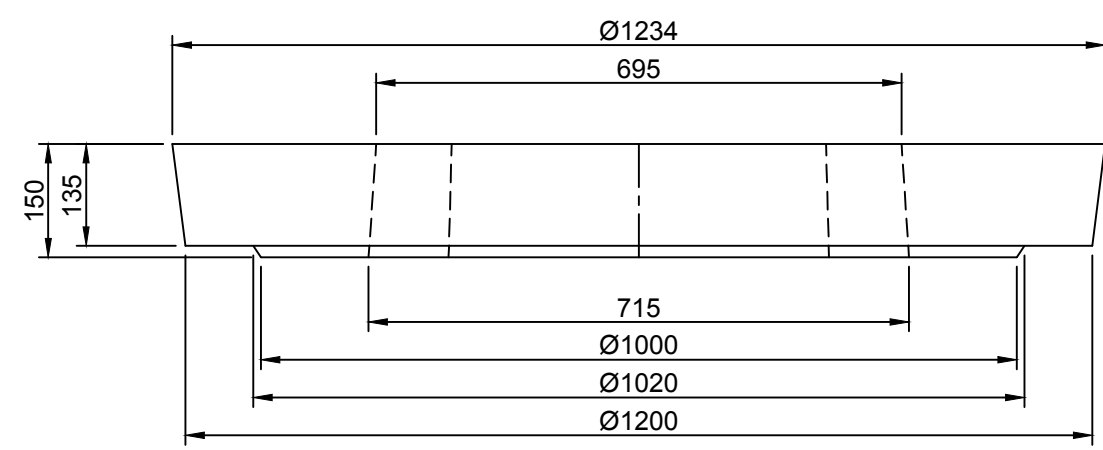
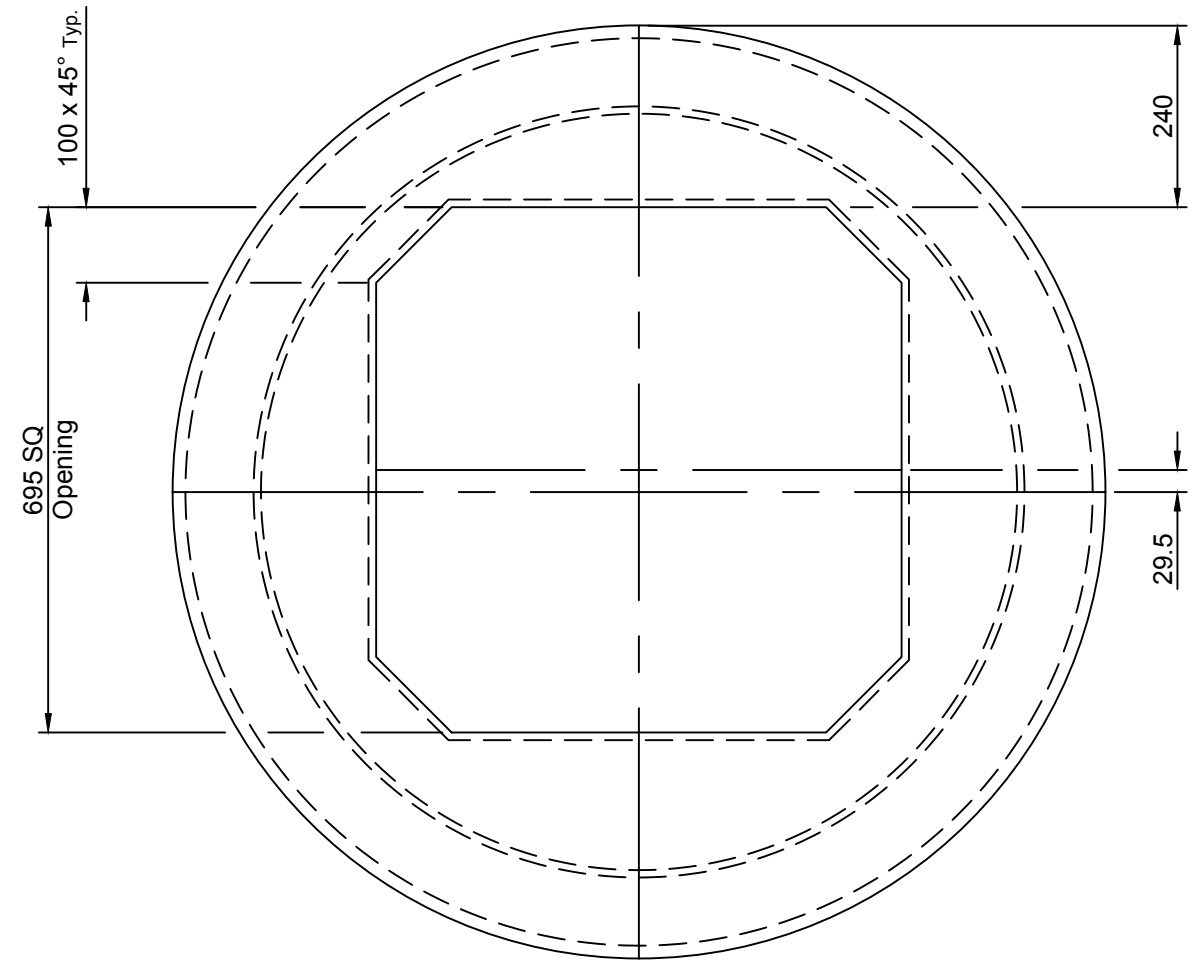


ALL Elite Precast Manhole Cover Slabs are manufactured using high strength (50N/mm<sup>2</sup>) concrete.



Total Weight : 232Kg

										TITLE		ELITE PRECAST CONCRETE LTD HALESFIELD 9, TELFORD SHROPSHIRE TF7 4QW													
										Cover Slab x 1050 Dia x 675 SQ Opening		Elite Product Code :-													
REV	DATE	REASON FOR ISSUE	DRN	APP	REV	DATE	REASON FOR ISSUE	DRN	APP	CTC	RMD	DRN	CTC	CHKD	RMD	DATE	18-11-16	SIZE	A3	SCALE	1:10	DRG	EPC-DRG-250	REV	O
					O	18.11.16	For Information.																		