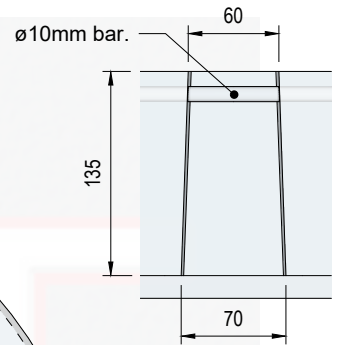
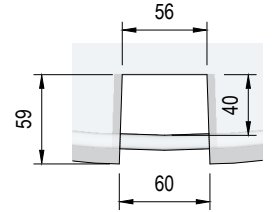
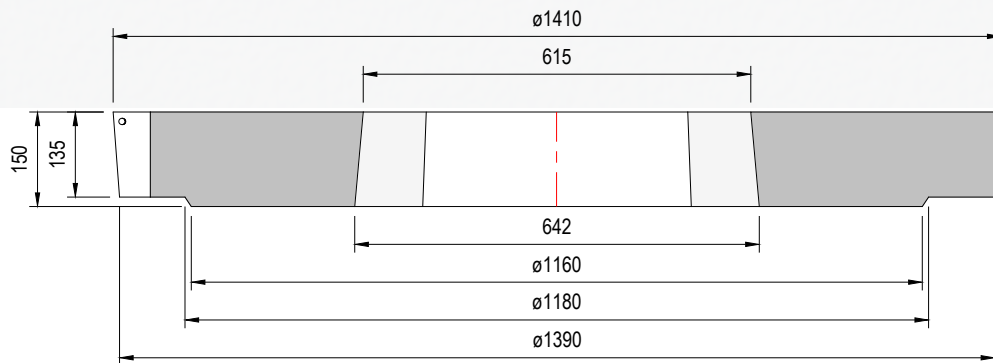
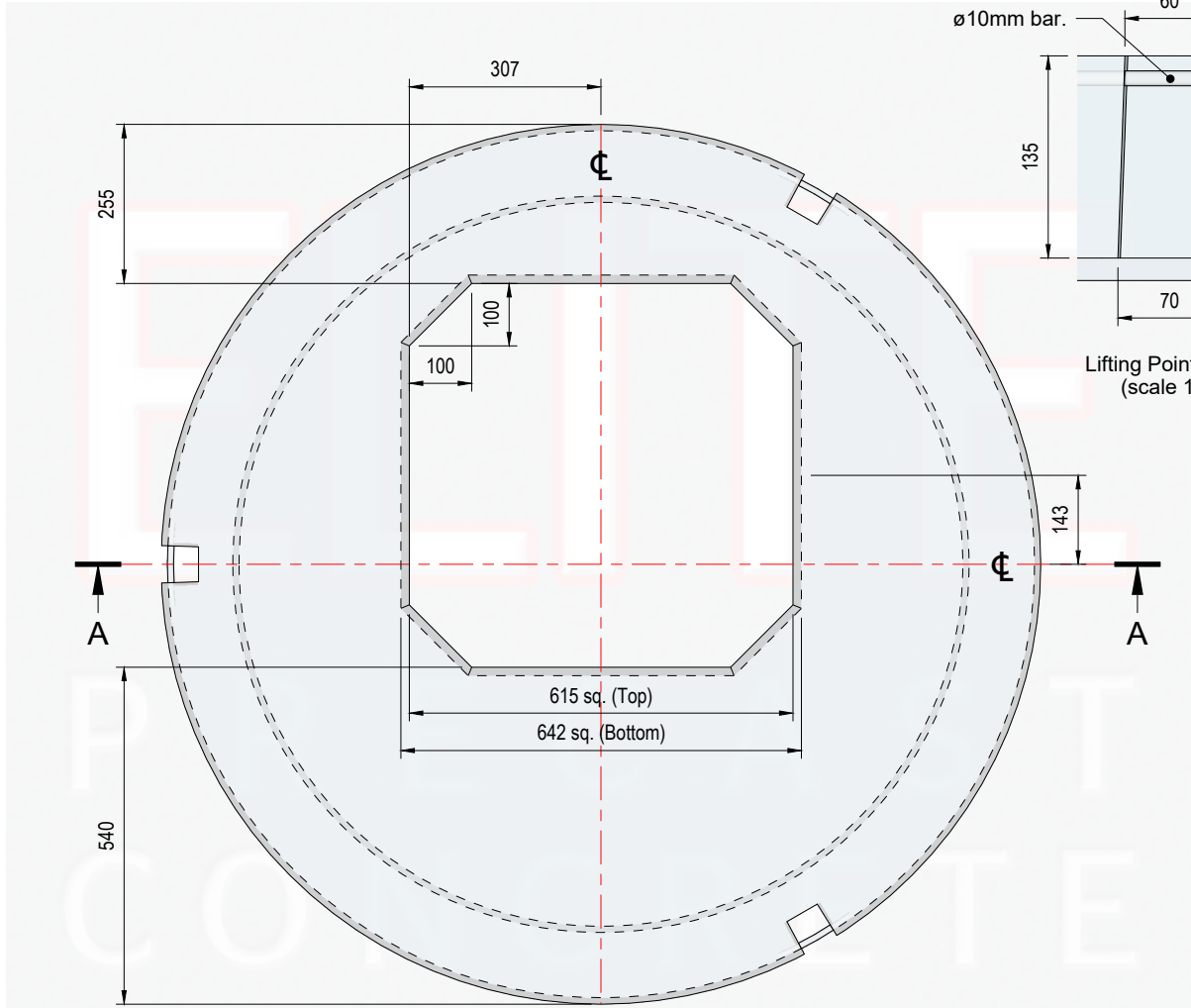


**Weight of Slab : 397kg Approx.**  
(including rebar)



Lifting Point Detail  
(scale 1:5)



Part Section on Arrow A - A

						O	16.12.24	For Information.	CTC	PR			
REV	DATE	REASON FOR ISSUE	DRN	APP	REV	DATE	REASON FOR ISSUE	DRN	APP				
TITLE						ELITE PRECAST CONCRETE LTD HALESFIELD 9, TELFORD SHROPSHIRE TF7 4QW www.eliteprecast.co.uk							
Cover Slab - 1200mm x 150mm x 600mm Square Opening						SIZE	A4	SCALE	1:12	DRG	EPC-1200-600	REV	O