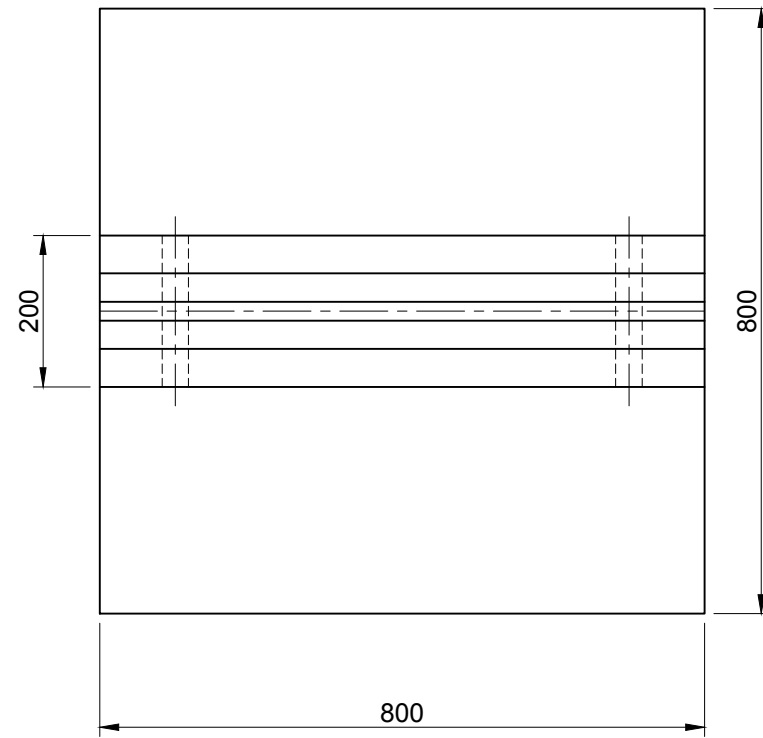
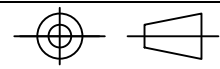
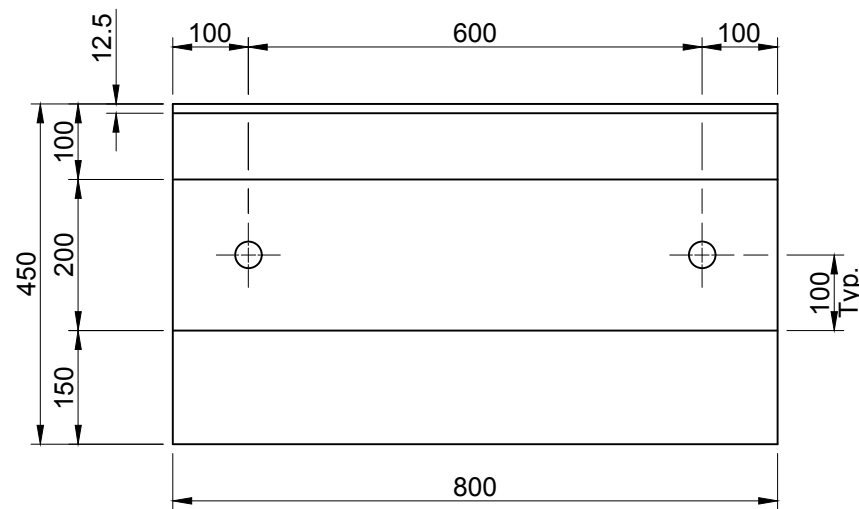
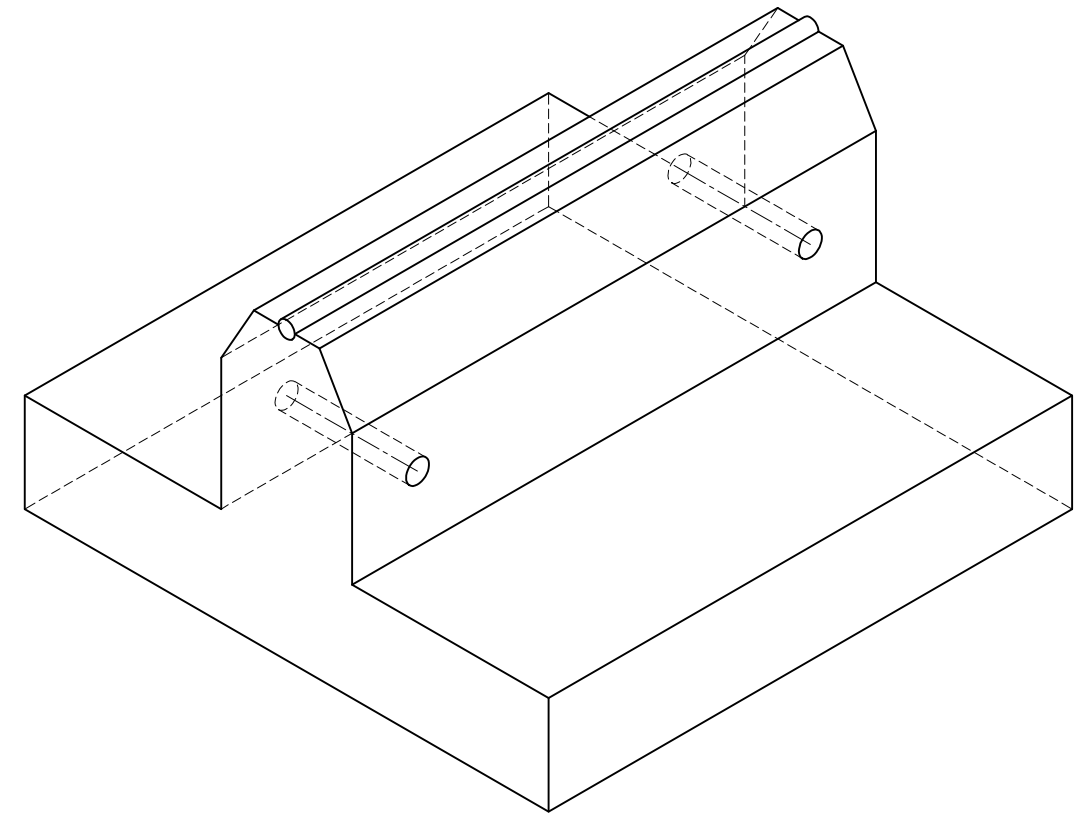


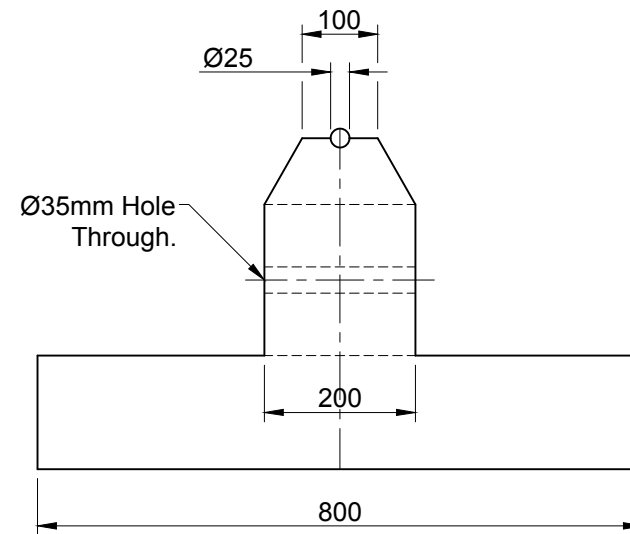
PROJECTION



Plan



Elevation



End

						O	30.10.13	For Information.			CTC	RMD	
REV	DATE	REASON FOR ISSUE	DRN	APP	REV	DATE	REASON FOR ISSUE			DRN	APP		
TITLE						ELITE PRECAST CONCRETE LIMITED HALESFIELD 9, TELFORD SHROPSHIRE TF7 4QW							
800 x 800 x 450mm Base Sleeper													
Elite Product Code : 04SPSUP800800450													
DRN	CTC	CHKD	RMD	DATE	30-10-13	SIZE	A3	SCALE	1:10	DRG	EPC-DRG-120	REV	O