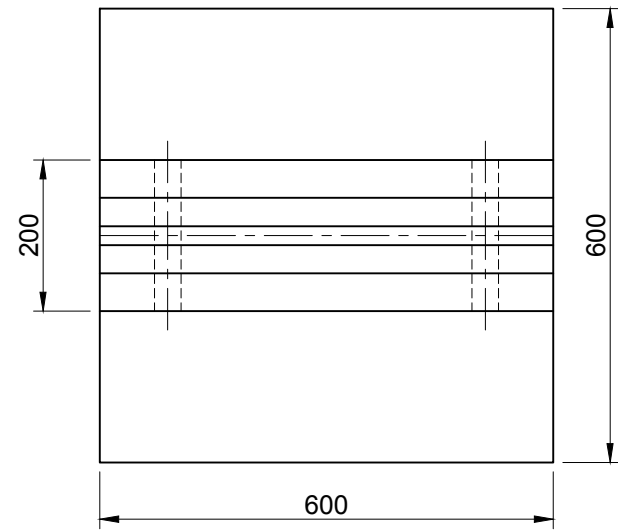
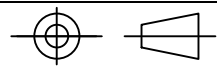
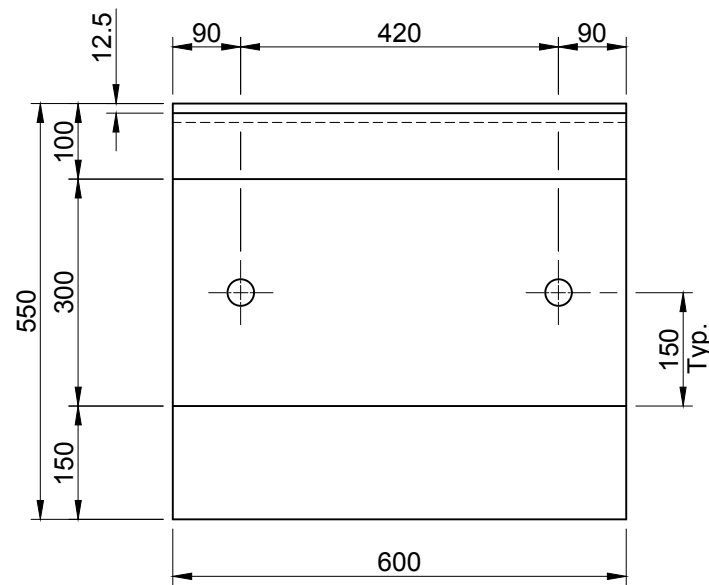


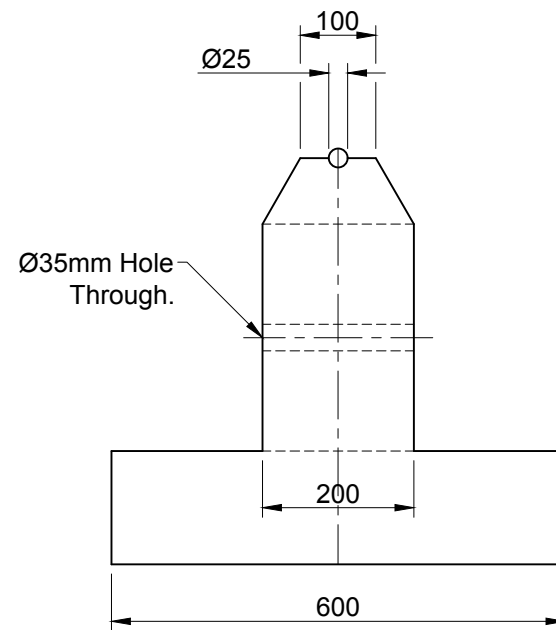
PROJECTION



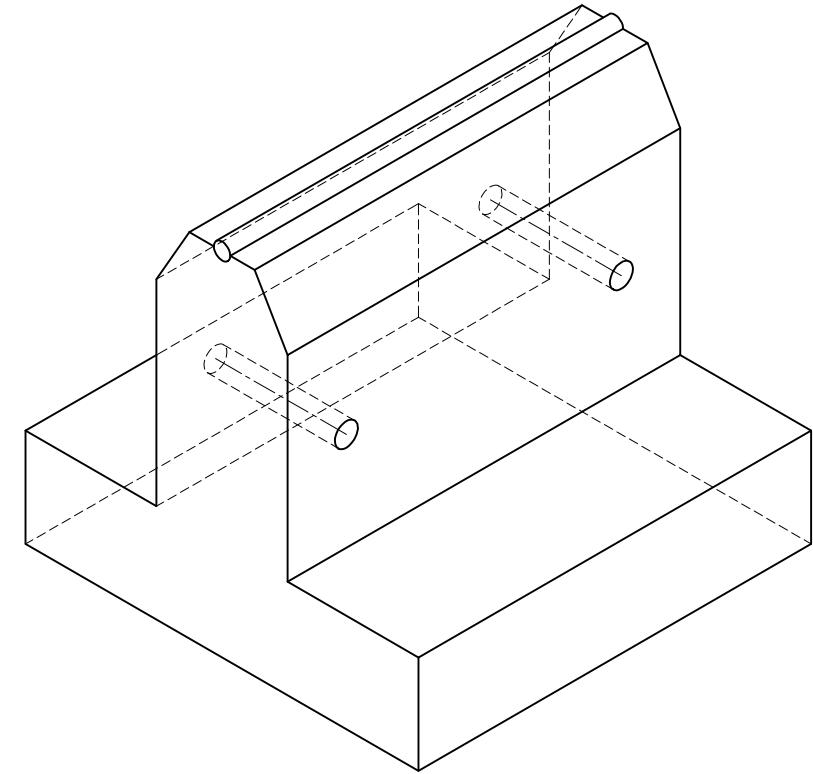
Plan




Elevation



End



						O	30.10.13	For Information.		CTC	RMD
REV	DATE	REASON FOR ISSUE	DRN	APP	REV	DATE	REASON FOR ISSUE		DRN	APP	
TITLE											
600 x 600 x 550mm Base Sleeper						ELITE PRECAST CONCRETE LIMITED HALESFIELD 9, TELFORD SHROPSHIRE TF7 4QW					
Elite Product Code : 04SPSUP600600550											
DRN	CTC	CHKD	RMD	DATE	30-10-13	SIZE	A3	SCALE	1:10	DRG	EPC-DRG-118
										REV	O