

Important Note - The retained material should be allowed to naturally fall against the wall as it is stacked. Do not allow the retained material to stand up on its own as this could lead to a catastrophic failure of the material and the wall. The wall has not been designed to withstand the impact of the retained material suddenly falling against the wall due to incorrect loading.

Retained Material:-
 ASR Grade 2
 AoR - 25 degrees
 Maximum Density - 4 kN/m³ (400 kgs/m³)
 Maximum height of material - 2.6m
 Maximum material slope - 25 Degrees

It is up to the client to advise if these parameters are not correct.

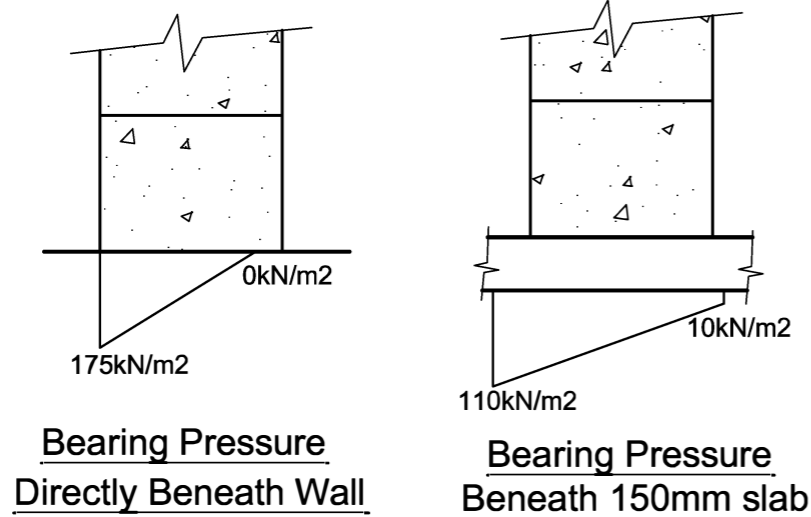
- NOTES:-**
1. The contractor should take all necessary measurements on site.
 2. All dimensions shown on this drawing are approximate and for structural calculation purposes only.
 3. Dimensions on this drawing should not be used for fabrication purposes.
 4. Do not scale this drawing.
 5. This drawing should be read in conjunction with the calculations.

IMPORTANT NOTE
 The existing slab and ground have not been investigated by CLP structures, the pressures exerted on the ground and slab are shown on this drawing, however **it is up to the client to satisfy himself that the existing ground and slab are adequate to support these loads.**

IMPORTANT NOTE
 The wall has been designed to retain a specific material with a specific density and angle of repose. It is up to the client to ensure that the material retained on site does not exceed these designed parameters, failure to do so may result in the collapse of the wall.

Allowable Loads - Bay 4 (Height increased by one block)

(1:25)



**Bearing Pressure
 Directly Beneath Wall**

**Bearing Pressure
 Beneath 150mm slab**

Bearing Pressures

(1:25)

NOTE:-
 The bearing pressure beneath the wall is shown below. **It is up to the client to ensure the ground and slab is adequate**, alternatively a foundation may be designed to suit allowable ground bearing pressures if required.

| Rev | Description | By | Date | Chk'd |
|------------------|-------------|-----|------|-------|
| | | | | |
| | | | | |
| | | | | |
| | | | | |
| | | | | |
| | | | | |
| | | | | |
| Purpose of Issue | | Rev | Date | Auth |



CLP Structures
 STRUCTURAL ENGINEERING CONSULTANTS
 EMAIL: mail@CLP-Structures.co.uk
 TEL: 0117 3706357

Client
 Elite Precast Concrete Ltd.

Project
 Elite Legato Block Retaining Wall
 3.2m High

Title
 Wall Design
 Loading Guidelines

| | | |
|----------------------------|-----------------------------|---------------|
| Original Scale As noted | Drawn CEL Date Nov 18 | Rev - Checked |
|----------------------------|-----------------------------|---------------|

Drawing Number 704-01-007