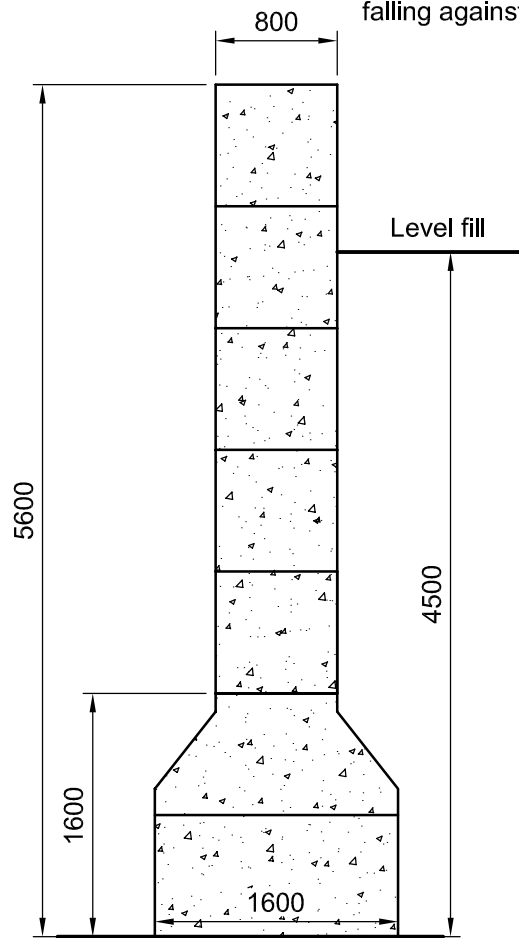
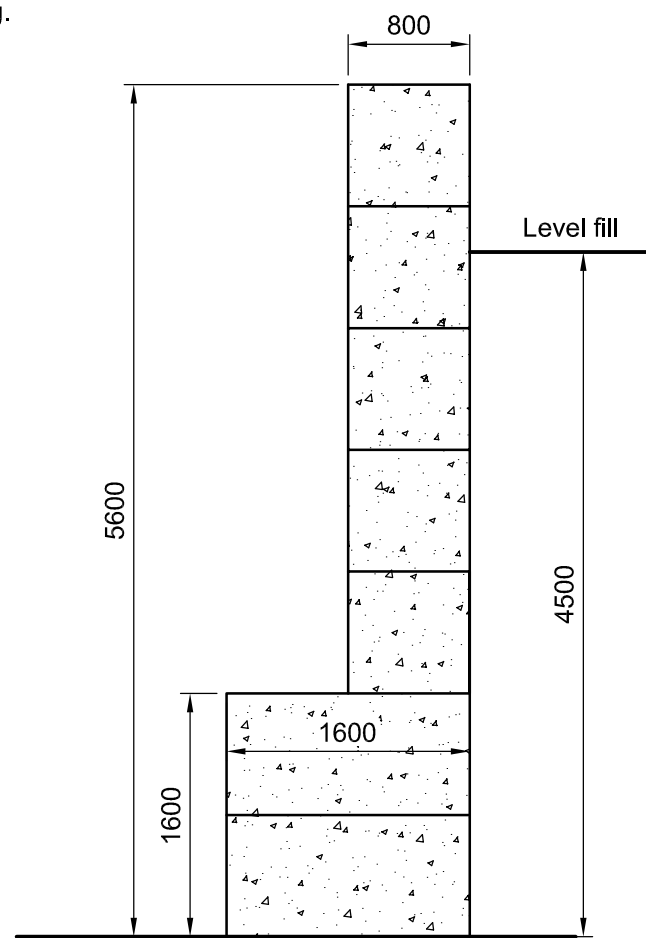


Important Note - The retained material should be allowed to naturally fall against the wall as it is stacked. Do not allow the retained material to stand up on its own as this could lead to a catastrophic failure of the material and the wall.
The wall has not been designed to withstand the impact of the retained material suddenly falling against the wall due to incorrect loading.



Division Walls



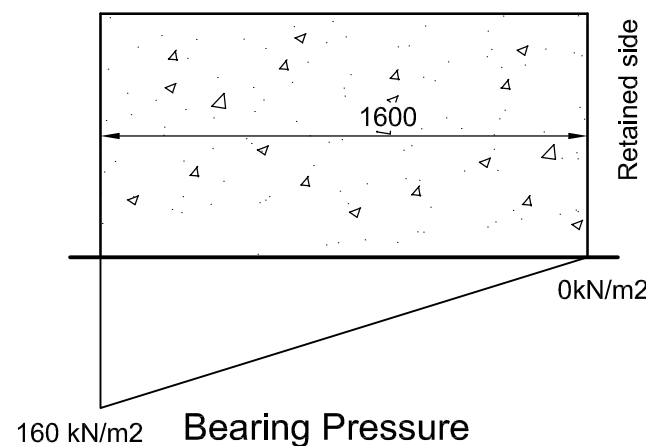
Back & Side Walls

Retained Material:-
Black Bag Waste
Max Retained eight - 4.5m
Level Fill Material
AoR = 35 degrees
Maximum Density
3.5 kN/m³ (350 kgs/m³)
Wind Load - 1kN/m²

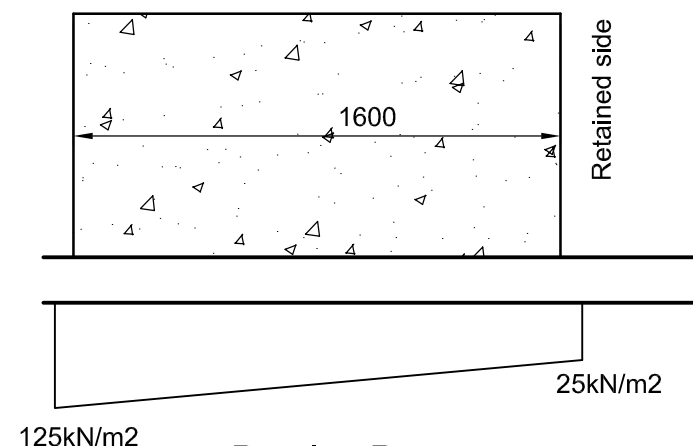
It is up to the client to advise if these parameters are not correct.

Design Parameters (1:50)

NOTE:-
The bearing pressure beneath the wall is shown below. **It is up to the client to ensure the ground and slab is adequate**, alternatively a foundation may be designed to suit allowable ground bearing pressures if required.



Bearing Pressure Directly beneath wall



Bearing Pressure Beneath 150mm slab

Bearing Pressures (1:25)

NOTES:-

1. The contractor should take all necessary measurements on site.
2. All dimensions shown on this drawing are approximate and for structural calculation purposes only.
3. Dimensions on this drawing should not be used for fabrication purposes.
4. Do not scale this drawing.
5. This drawing should be read in conjunction with the calculations.

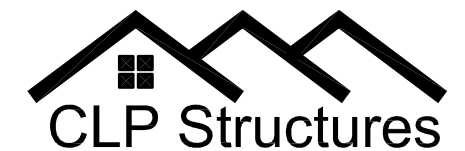
IMPORTANT NOTE

The existing slab and ground have not been investigated by CLP structures, the pressures exerted on the ground and slab are shown on this drawing, however **it is up to the client to satisfy himself that the existing ground and slab are adequate to support these loads.**

IMPORTANT NOTE

The wall has been designed to retain a specific material with a specific density and angle of repose. It is up to the client to ensure that the material retained on site does not exceed these designed parameters, failure to do so may result in the collapse of the wall.

| Rev | Description | By | Date | Chk'd |
|-----|------------------|-----|------|-------|
| | | | | |
| | | | | |
| | | | | |
| | | | | |
| | | | | |
| | | | | |
| | Purpose of Issue | Rev | Date | Auth |



STRUCTURAL ENGINEERING CONSULTANTS
EMAIL: mail@CLP-Structures.co.uk
TEL: 0117 3706357

Client
Elite Precast Concrete Ltd.

Project
**5.6m High Black Bag Waste
Elite Legato Wall**

Title
**5.6m High with Spreader
Wall Design Options**

| | | |
|----------------------------|------------------------------|---------------|
| Original Scale As noted | Drawn CEL Date June 18 | Rev - Checked |
|----------------------------|------------------------------|---------------|

Drawing Number **681-01**