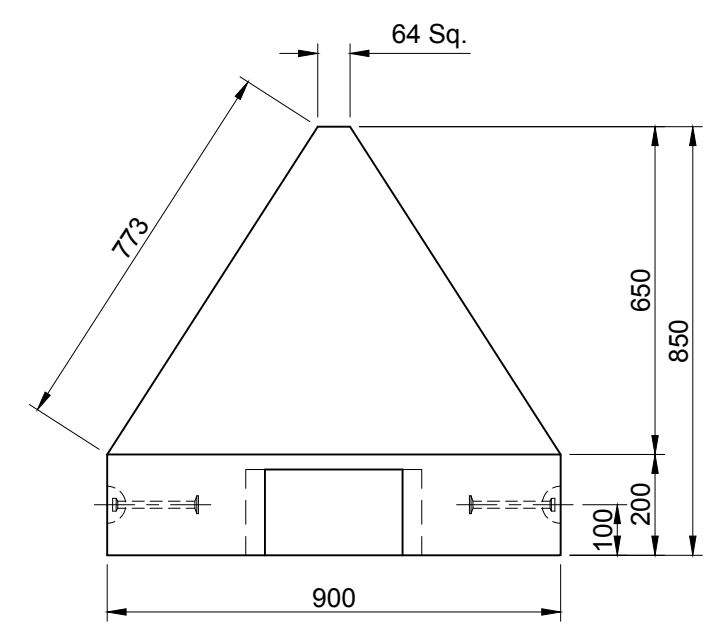
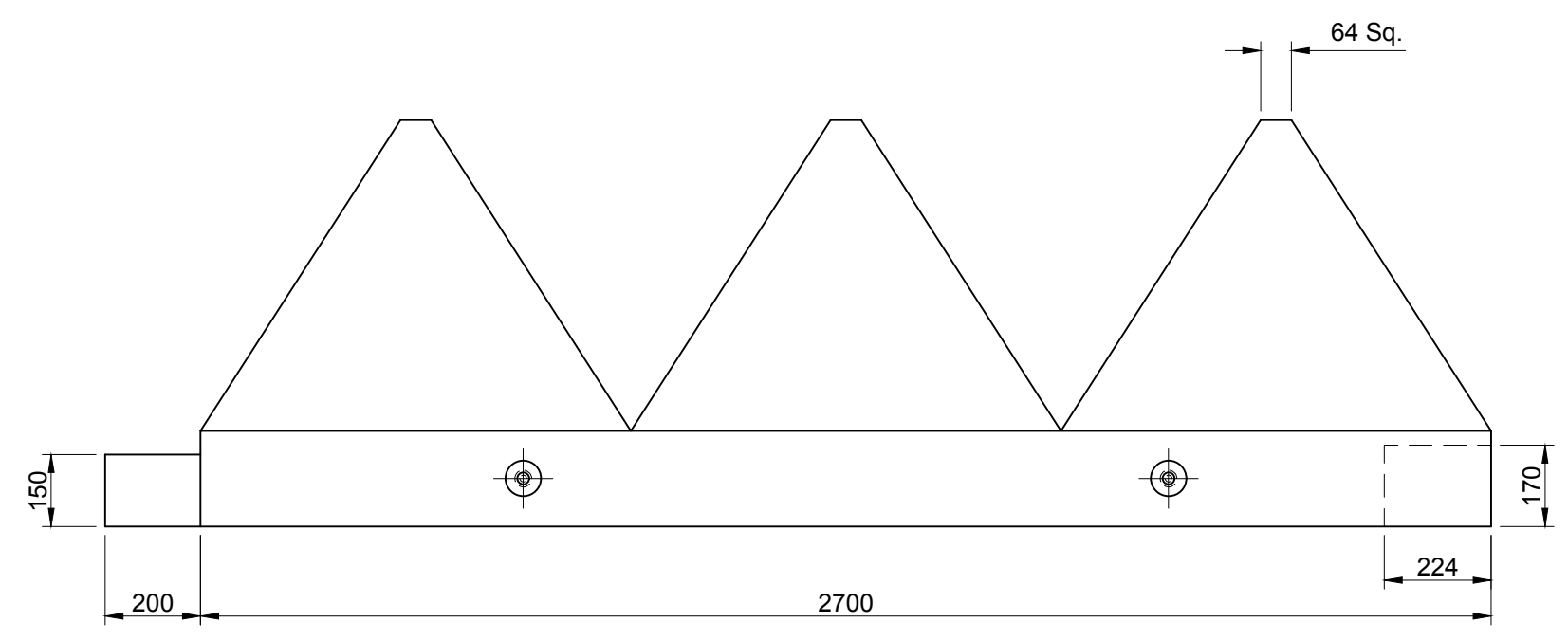
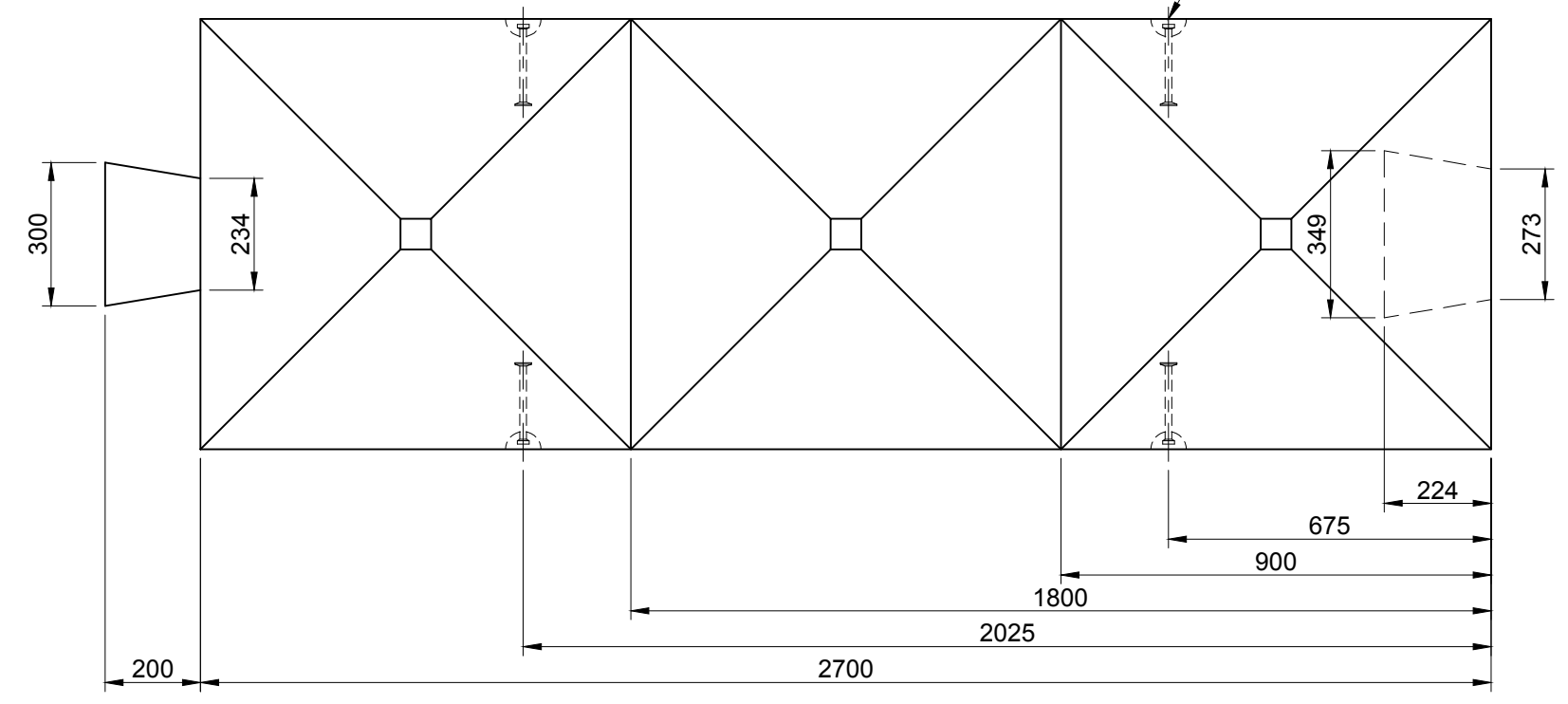


ALL Tank Trap Interlocking Concrete Blocks are manufactured using high strength (50N/mm<sup>2</sup>) concrete.

Ø74mm dia semi-spherical recess in block for pin anchor.  
(pin anchor is rated to 2.5 tonnes with a safety factor of 3).



Total Block Weight : 2500Kg

|     |      |                  |     |     |     |          |                                            |     |     |                                                                                        |  |                                                                           |            |               |                  |
|-----|------|------------------|-----|-----|-----|----------|--------------------------------------------|-----|-----|----------------------------------------------------------------------------------------|--|---------------------------------------------------------------------------|------------|---------------|------------------|
|     |      |                  |     |     |     |          |                                            |     |     | TITLE                                                                                  |  | ELITE PRECAST CONCRETE LTD<br>HALESFIELD 9, TELFORD<br>SHROPSHIRE TF7 4QW |            |               |                  |
|     |      |                  |     |     |     |          |                                            |     |     | 2700 x 900 x 900 Interlocking Concrete<br>Tank Trap Block<br>Elite Product Code : TTPB |  | SIZE A3                                                                   | SCALE 1:15 |               | DRG EPC-TTPB-001 |
| REV | DATE | REASON FOR ISSUE | DRN | APP | REV | DATE     | REASON FOR ISSUE                           | DRN | APP |                                                                                        |  | DRN CTC                                                                   | CHKD RMD   | DATE 12-07-16 |                  |
|     |      |                  |     |     | A   | 10.01.18 | Overall height reduced from 900mm to 850mm | CTC | RMD |                                                                                        |  |                                                                           |            |               |                  |
|     |      |                  |     |     | O   | 12.07.16 | For Information.                           | CTC | RMD |                                                                                        |  |                                                                           |            |               |                  |