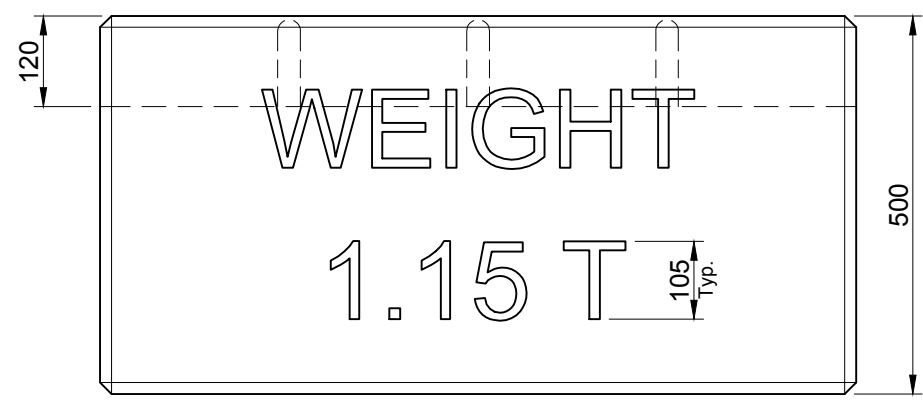
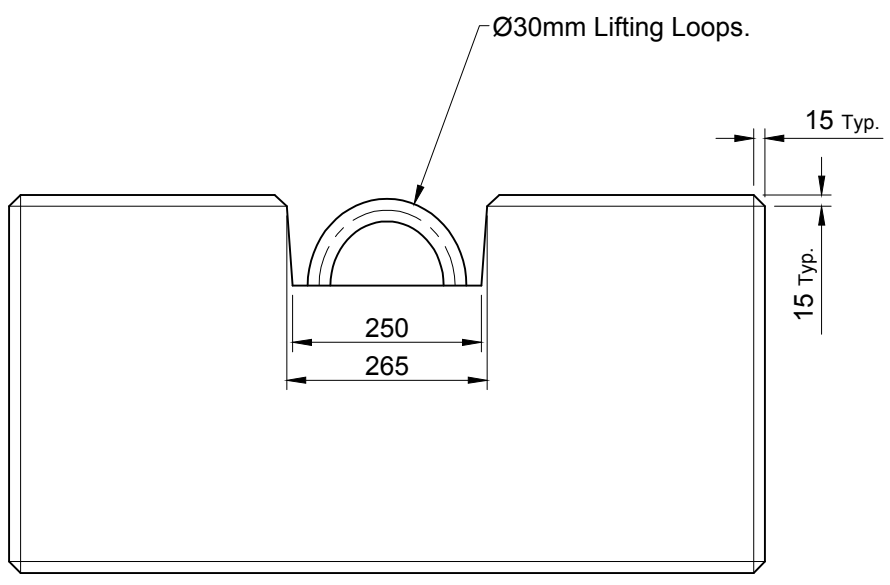
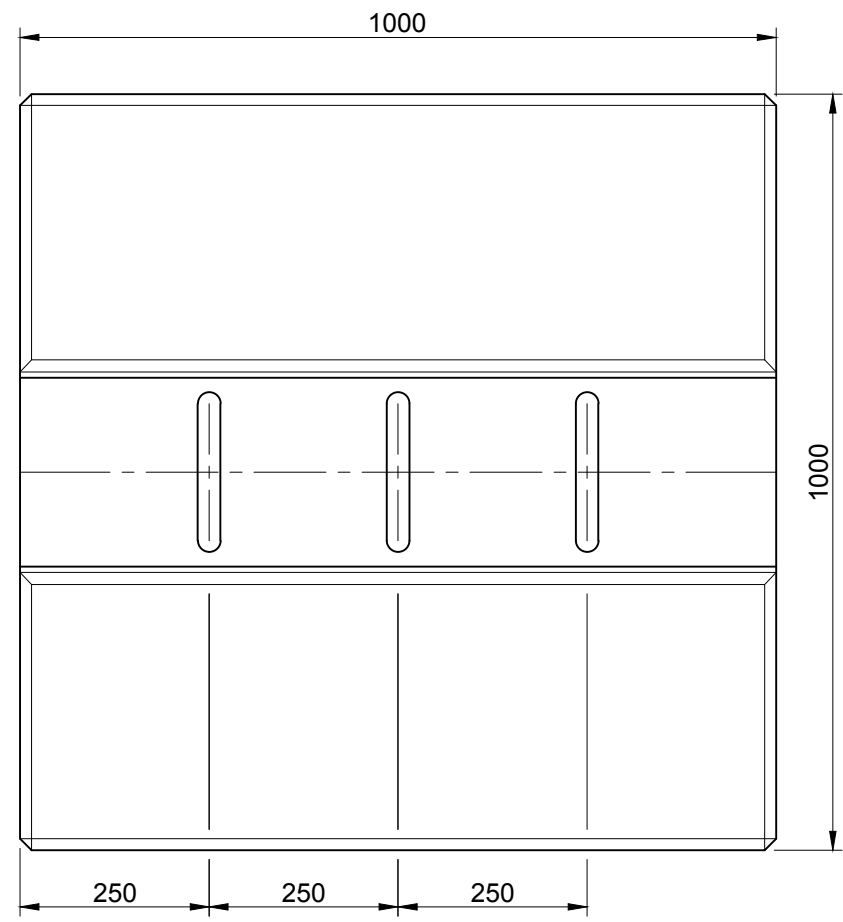


Kentledge Scaffold Blocks are manufactured using high strength (50N/mm<sup>2</sup>) concrete.

Total Block Weight : 1150Kg.



										TITLE		Kentledge Scaffold Block 1000 x 1000 x 500 x 1150kg Elite Product Code : KS1150			ELITE PRECAST CONCRETE LTD HALESFIELD 9, TELFORD SHROPSHIRE TF7 4QW										
REV	DATE	REASON FOR ISSUE	DRN	APP	REV	DATE	REASON FOR ISSUE	DRN	APP	CTC	RMD	DRN	CTC	CHKD	RMD	DATE	20-07-16	SIZE	A3	SCALE	1:10	DRG	EPC-SCA-001	REV	O