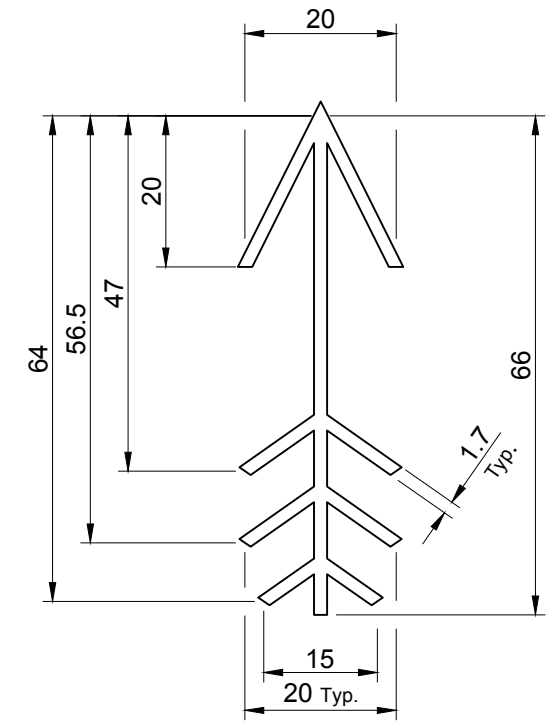
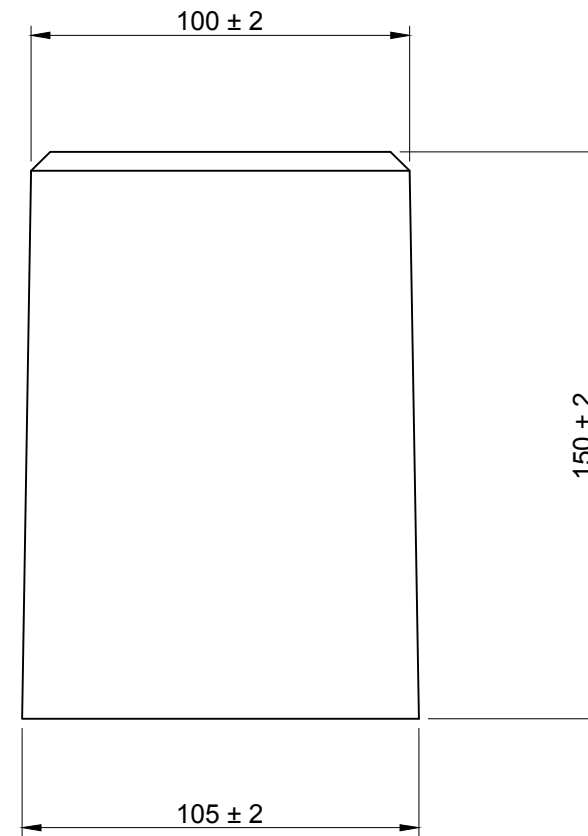
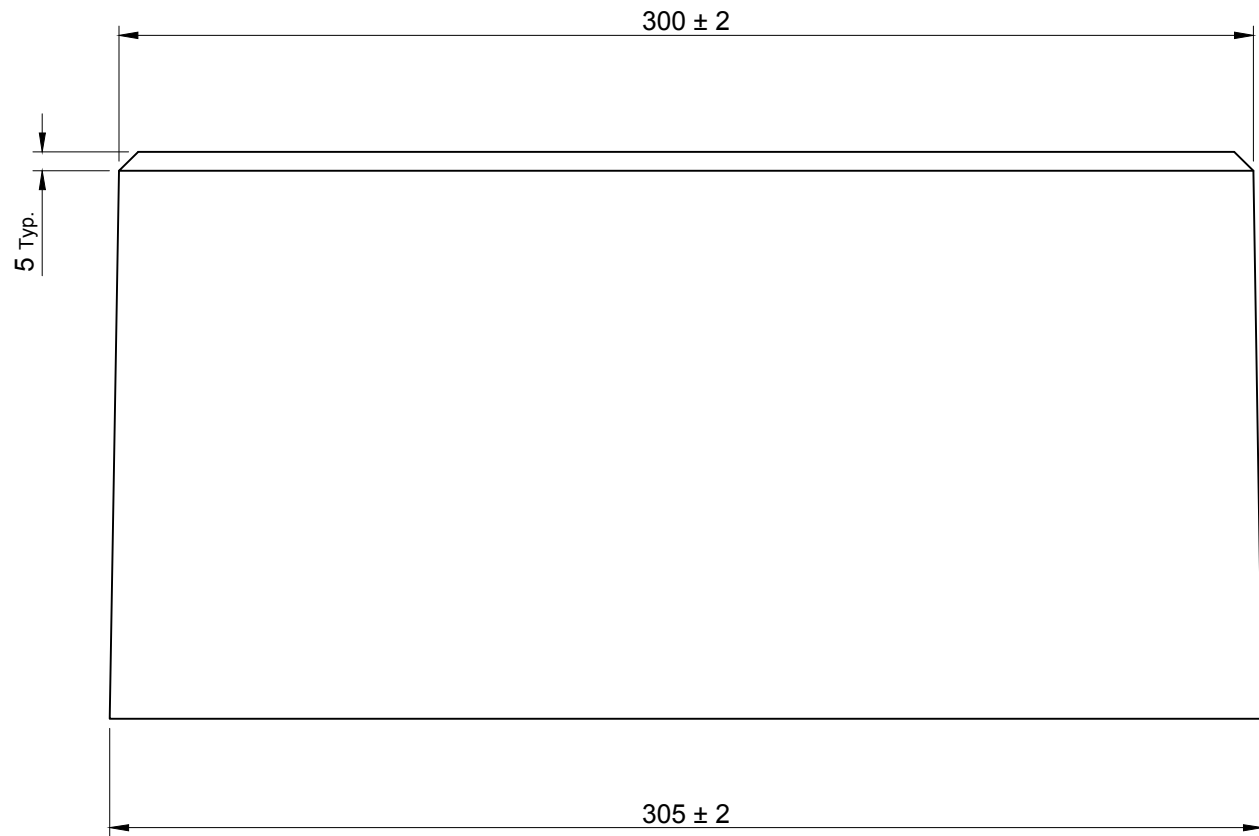


Narrative 'RomanD Font @ 25mm High x 5mm Deep Recess).

Indicator Arrow (see detail opposite)  
Recessed 5mm Deep.



Indicator Arrow  
scale 1:1



Notes:

Unit Weight 11kg Approx.

										TITLE		ELITE PRECAST CONCRETE LTD HALESFIELD 9, TELFORD SHROPSHIRE TF7 4QW													
										Marker Block 300 x 100 x 150mm 'HIGHWAY BOUNDARY' + Arrows Elite Product Code : CG5B															
										O 17.10.16 For Information.		CTC RMD													
REV	DATE	REASON FOR ISSUE	DRN	APP	REV	DATE	REASON FOR ISSUE	DRN	APP			DRN	CTC	CHKD	RMD	DATE	17-10-16	SIZE	A3	SCALE	1:2	DRG	EPC-DRG-244	REV	O