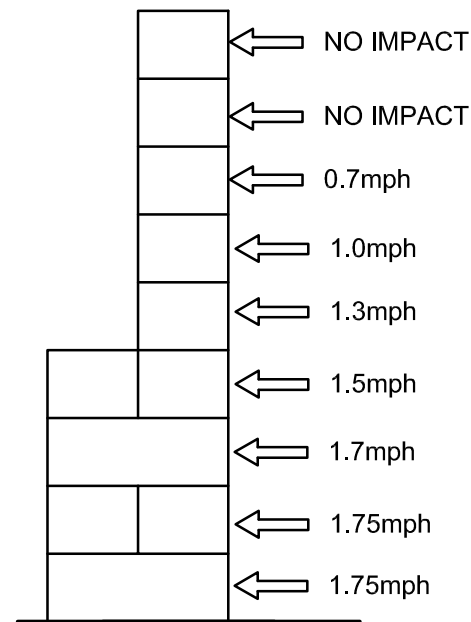


**Important Note** - The retained material should be allowed to naturally fall against the wall as it is stacked. Do not allow the retained material to stand up on its own as this could lead to a catastrophic failure of the material and the wall. The wall has not been designed to withstand the impact of the retained material suddenly falling against the wall due to incorrect loading.

**Retained Material:-**  
 Light waste  
 AoR = 30 degrees  
 Maximum Density  
 6 kN/m<sup>3</sup> (600 kgs/m<sup>3</sup>)

**It is up to the client to advise if these parameters are not correct.**



Allowable impact load speed based on:-

Vehicle (Maximum operating weight 20t)

Total allowable deflection - 100mm.

NOTE:-  
 Impact loads are the expected loads imposed on the wall by loading shovels, backhoes, buckets etc. carrying out NORMAL procedures of loading and unloading bays.

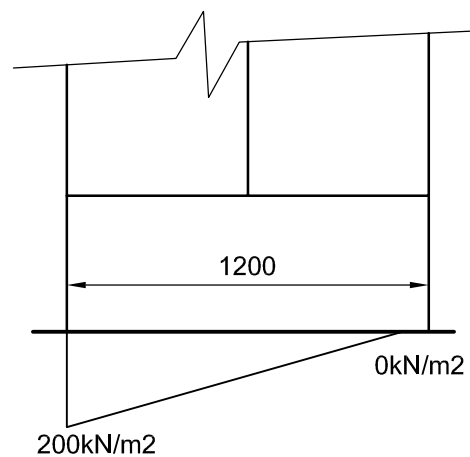
NOTE:-  
 Wall has **not** been designed for retained material to be compacted by vehicle driving over or on top of the retained material.

Max. Permissible Impact Loads

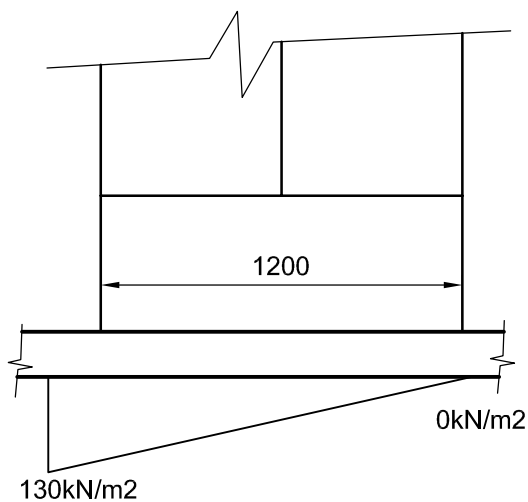
**Design Parameters Load Case 1 - 6kN/m<sup>2</sup>**

(1:50)

NOTE:-  
 The bearing pressure beneath the wall is shown below. **It is up to the client to ensure the ground and slab is adequate**, alternatively a foundation may be designed to suit allowable ground bearing pressures if required.



Bearing Pressure Directly Beneath Wall



Bearing Pressure Beneath 150mm slab

**Bearing Pressures**

(1:25)

- NOTES:-
1. The contractor should take all necessary measurements on site.
  2. All dimensions shown on this drawing are approximate and for structural calculation purposes only.
  3. Dimensions on this drawing should not be used for fabrication purposes.
  4. Do not scale this drawing.
  5. This drawing should be read in conjunction with the calculations.

**IMPORTANT NOTE**  
 The existing slab and ground have not been investigated by CLP structures, the pressures exerted on the ground and slab are shown on this drawing, however **it is up to the client to satisfy himself that the existing ground and slab are adequate to support these loads.**

**IMPORTANT NOTE**  
 The wall has been designed to retain a specific material with a specific density and angle of repose. It is up to the client to ensure that the material retained on site does not exceed these designed parameters, failure to do so may result in the collapse of the wall.

Rev	Description	By	Date	Chk'd
Purpose of Issue	Rev	Date	Auth	

**CLP Structures**  
 STRUCTURAL ENGINEERING CONSULTANTS  
 EMAIL: mail@CLP-Structures.co.uk  
 TEL: 0117 3706357

Client  
 Elite Precast Concrete Ltd.

Project  
 Elite Duoblock Wall  
 Load Case 1 - 6kN/m<sup>3</sup>

Title  
 Wall Design Parameters and Limitations

Original Scale As noted	Drawn CEL Date Aug 16	Rev - Checked	
----------------------------	-----------------------------	---------------	--

Drawing Number 507-05-01