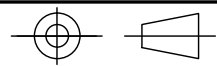
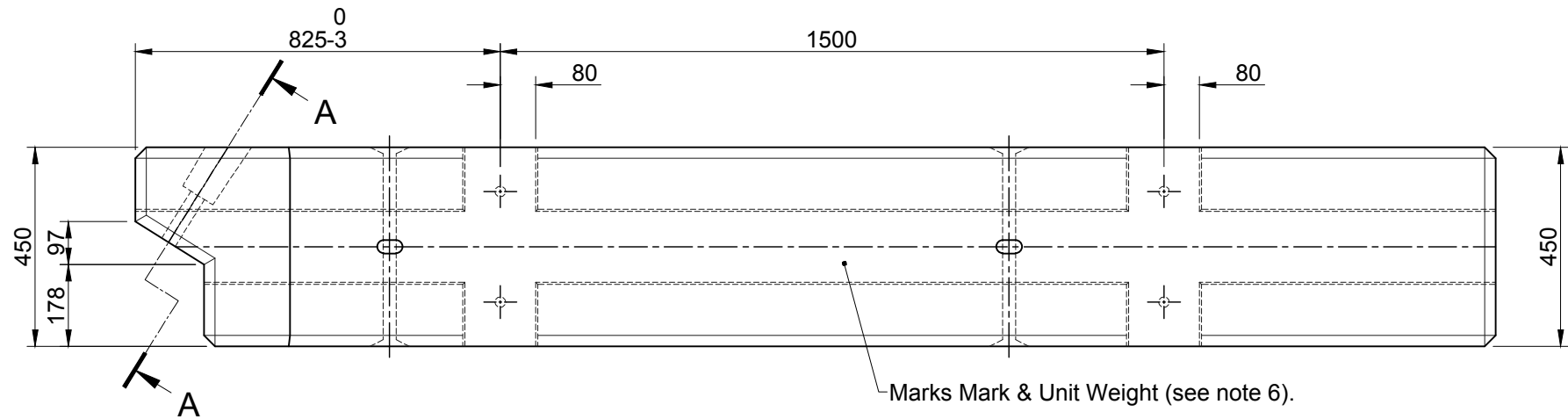


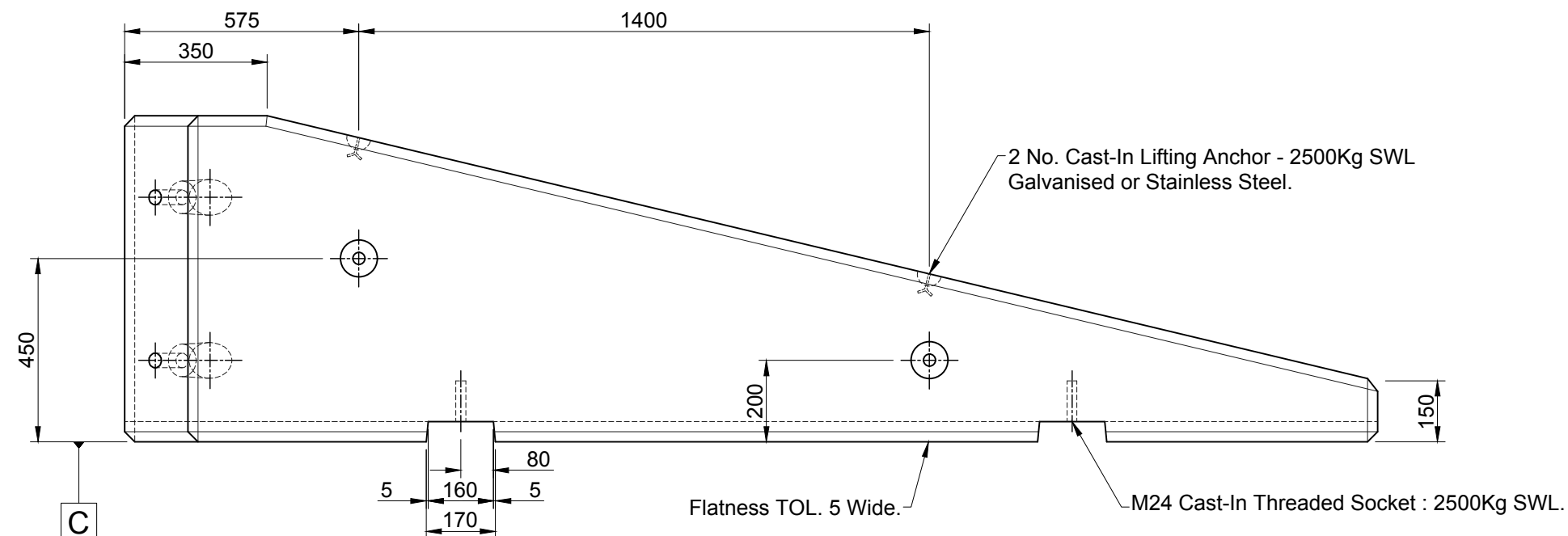
PROJECTION



Item No.	Orientation	Remarks
V1	As Drawn	Verge
V2	Opp. Hand	Central Reserve



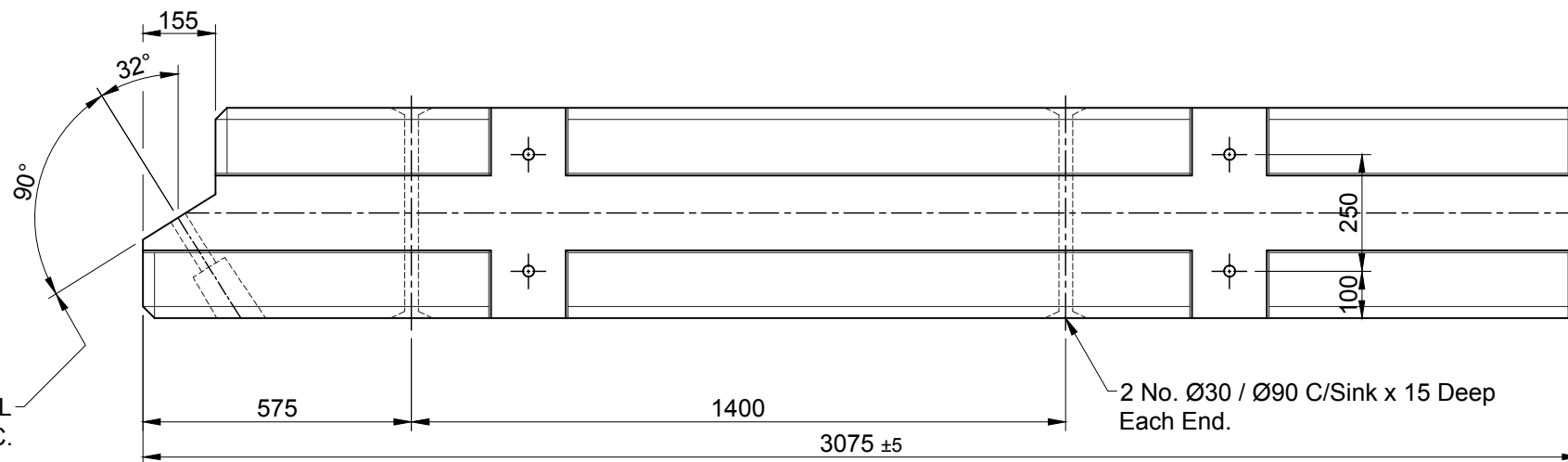
Marks Mark & Unit Weight (see note 6).



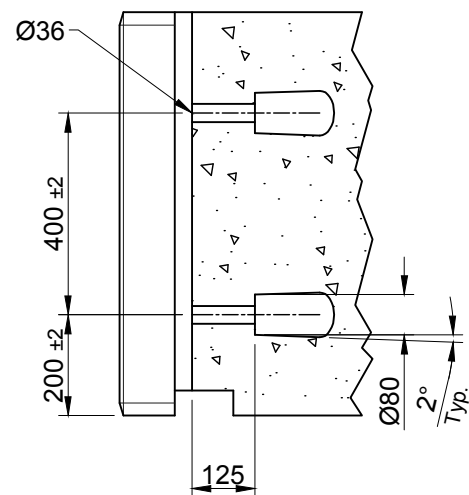
2 No. Cast-In Lifting Anchor - 2500Kg SWL Galvanised or Stainless Steel.

Flatness TOL. 5 Wide.

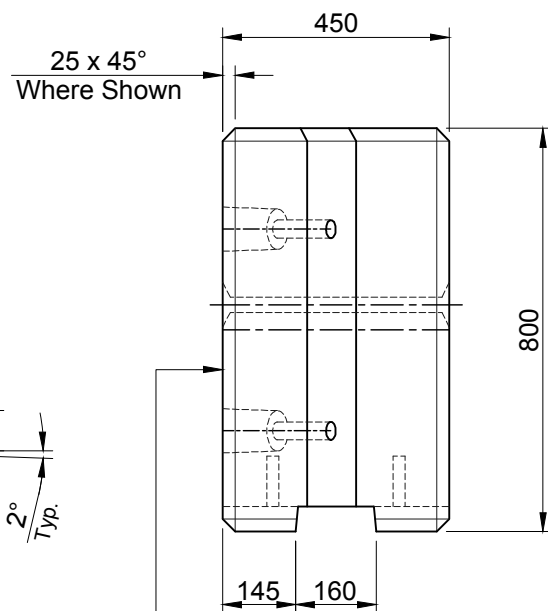
M24 Cast-In Threaded Socket : 2500Kg SWL.



Square TOL 2 Wide Datum Face C.



Part Section Arrow A - A



Profile TOL. ±2 for Full Length of Unit.

Notes

- Dimensions in millimetres
- Tolerance to be ±0.5% unless otherwise stated.
- For reinforcement details see drawing 159, & 160.
- Concrete mix C50 or C40 with air entrapment.
- The overlap of the scarf joint must always be in the direction of traffic.
- Manufacturer to establish weight from a sample unit, estimated weight of unit 1700Kg.

REV	DATE	REASON FOR ISSUE	DRN	APP	REV	DATE	REASON FOR ISSUE	DRN	APP
					O	20.03.13	For Information		
								CTC	RD

TITLE :
Temporary Vertical Concrete Barrier (TVCB)
 Terminal Unit
 Elite Product Code : -

ELITE PRECAST CONCRETE LIMITED
 HALESFIELD 9, TELFORD
 SHROPSHIRE TF7 4QW

DRN : CTC CHKD : RD DATE : 20-03-14 DRG SIZE : A3 SCALE: 1:15 DRG 158 REV O

