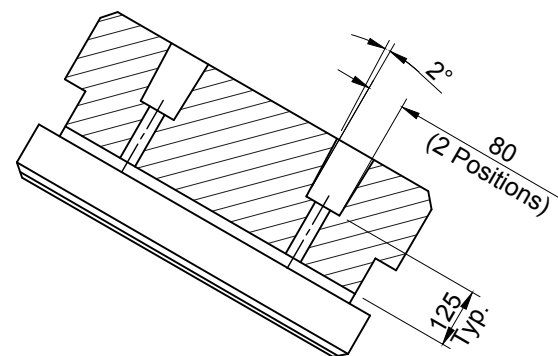
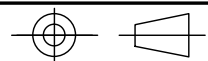
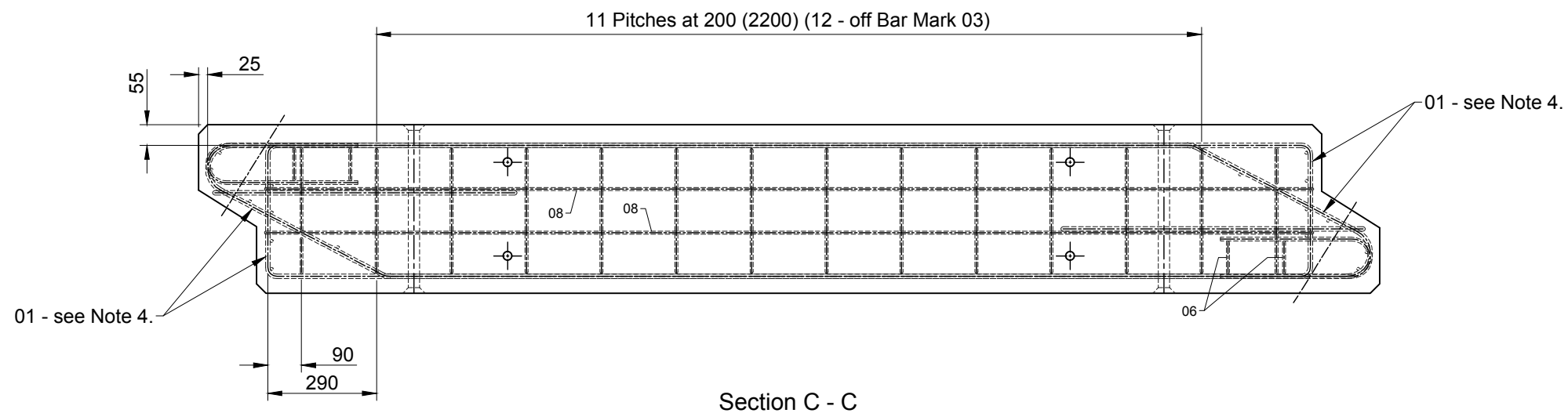


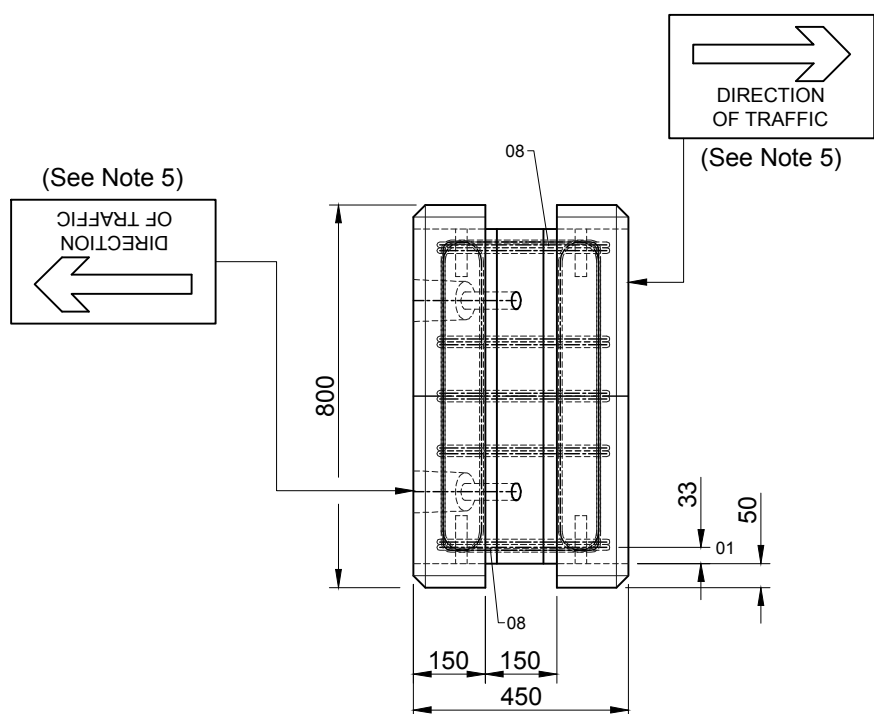
PROJECTION



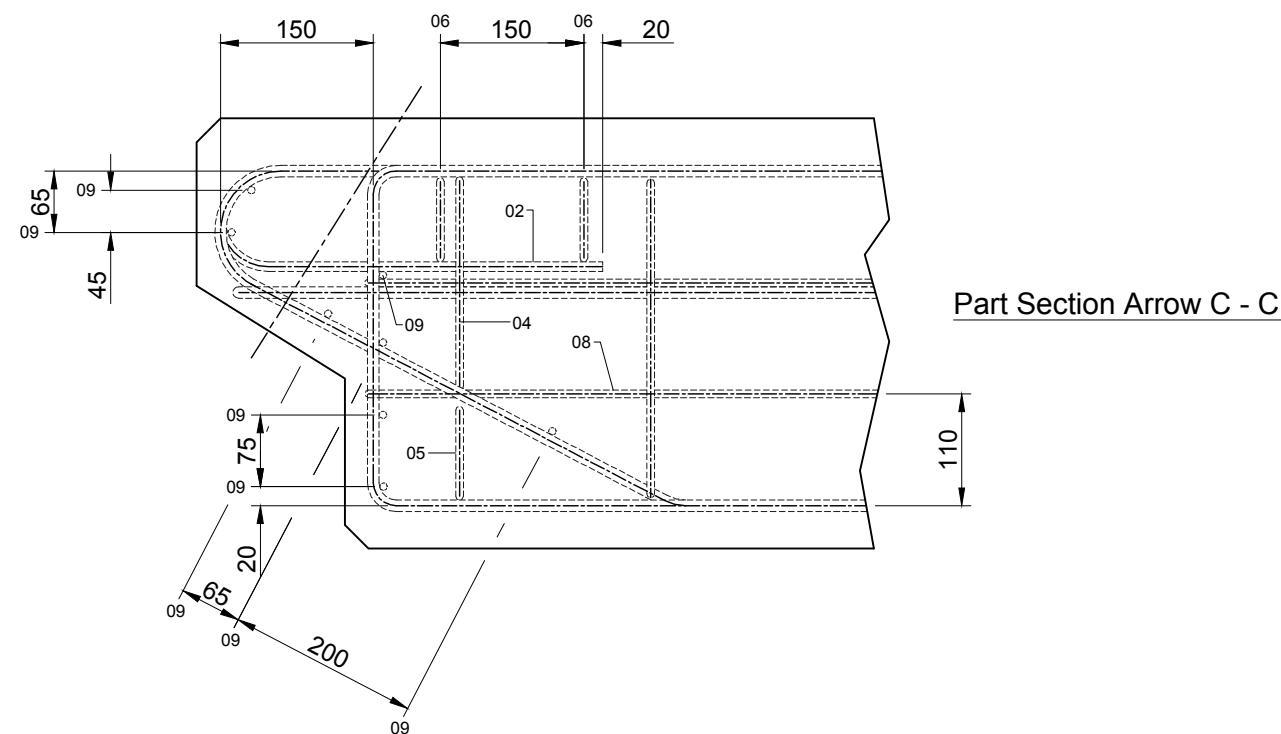
Part Section Arrow A - A
Part Section B - B Similar



Section C - C



Elevation D - D



Part Section Arrow C - C

REV	DATE	REASON FOR ISSUE	DRN	APP	REV	DATE	REASON FOR ISSUE	DRN	APP	
					O	12.02.14	For Information			
TITLE :					ELITE PRECAST CONCRETE LIMITED HALESFIELD 9, TELFORD SHROPSHIRE TF7 4QW					
DRN : CTC					CHKD : RD		DATE : 12-02-14		DRG SIZE : A3	
					SCALE : 1:15		DRG 151		REV O	

