

Channels... Ducts... Troughs

Precast concrete ducting is a system that allows for the accommodation of a number of different services from multiple utility and building providers.

Elite's Precast channels and lids are designed and manufactured to comply with the loading criteria as set out in accordance with the provisions within BS EN 1433 (channels) and BS EN 124 (lids).

The trough and lid system has a number of distinct advantages over direct bury and overhead suspension including...

PROVIDING A PROTECTIVE BARRIER FOR SERVICES AGAINST ACCIDENTAL DAMAGE

ACTING AS A CLEAR INDICATION OF UTILITY INSTALLATIONS

EASY ACCESS FOR MAINTENANCE AND REPAIRS

HIGH LEVELS OF SECURITY

Applications include the housing/ transportation of...

Electric cables

Gas pipes

Steam pipes

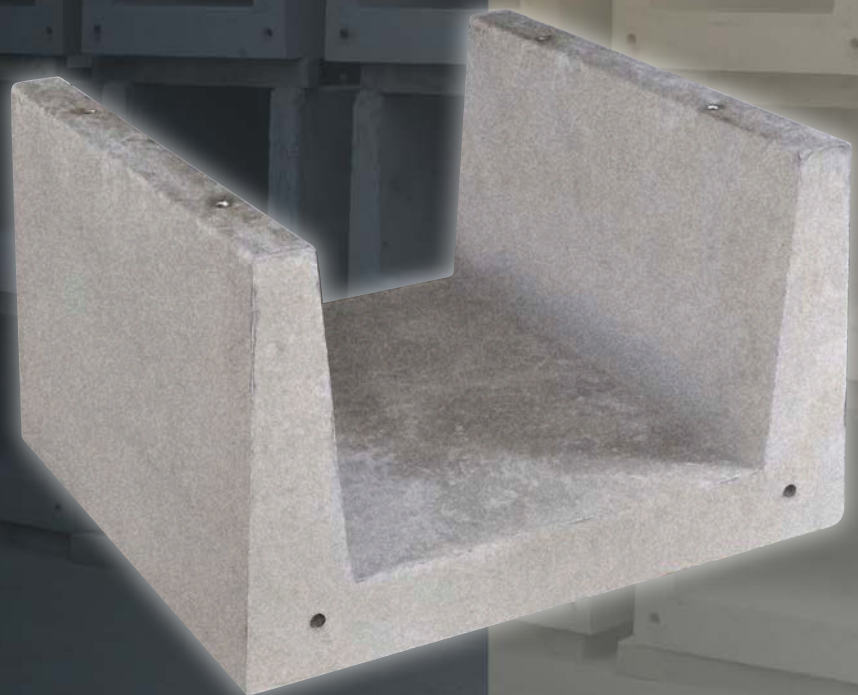
Water

Sewage

Slurry

Fibre optic cables

or multiples of the above.



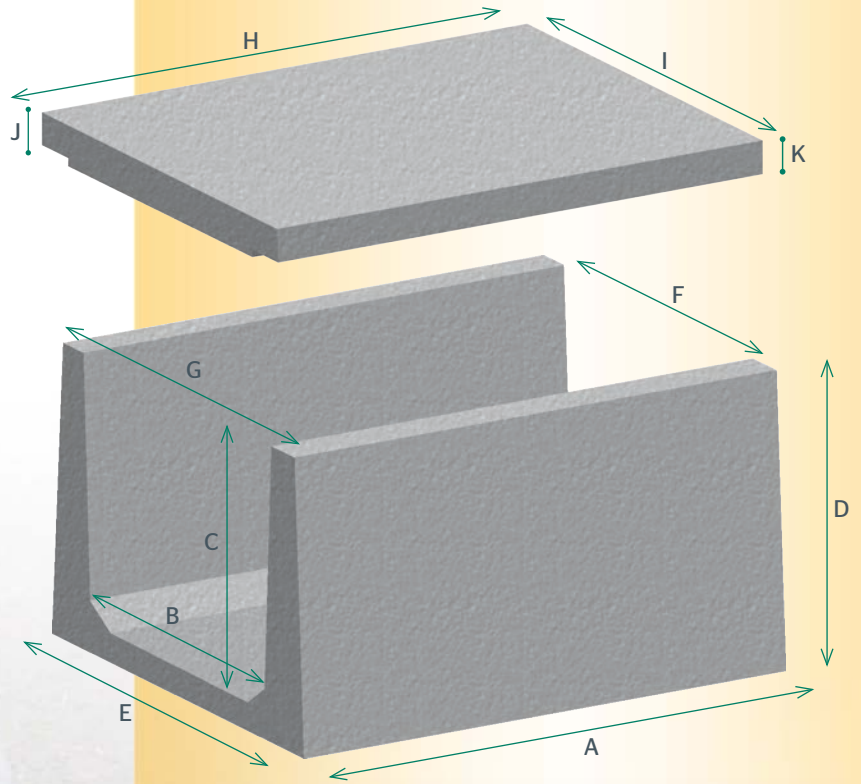
For more information on Elite quality concrete products
phone 01952 588 885 or browse www.eliteprecast.co.uk

Channels... Ducts... Troughs

Ducts/channels

Rectangular Ducts are available in the following dimensions set out in the table below, as indicated by the key letters on the drawing illustrated right.

CAD drawings and weights of the channels can be down-loaded from the Technical Drawings section. We can also cater for bespoke sizes made to your specification.



Ducts

| Code | Channel dimensions mm | | | | | | | Unit weight |
|------|-----------------------|------|------|------|------|------|------|-------------|
| | A | B | C | D | E | F | G | |
| 5107 | 1500 | 300 | 300 | 390 | 470 | 314 | 454 | 324kg |
| 5059 | 2000 | 600 | 450 | 575 | 850 | 700 | 850 | 955kg |
| 1196 | 1000 | 450 | 450 | 575 | 655 | 475 | 625 | 385kg |
| 1603 | 1000 | 600 | 320 | 445 | 910 | 700 | 850 | 430kg |
| 1606 | 1000 | 600 | 620 | 745 | 910 | 700 | 850 | 580kg |
| 1755 | 1000 | 730 | 520 | 660 | 1070 | 810 | 990 | 660kg |
| 1757 | 1000 | 700 | 770 | 910 | 1100 | 810 | 990 | 880kg |
| 1050 | 1000 | 1000 | 520 | 660 | 1320 | 1060 | 1240 | 750kg |
| 1075 | 1000 | 960 | 770 | 910 | 1350 | 1060 | 1240 | 960kg |
| 1010 | 1000 | 930 | 1020 | 1160 | 1380 | 1060 | 1240 | 1220kg |
| 1012 | 1000 | 1000 | 1200 | 1325 | 1450 | 1100 | 1350 | 1425kg |

Lids

| Code | Lid dimensions mm | | | | Unit weight |
|------|-------------------|------|-----|-----|-------------|
| | H | I | J | K | |
| 5107 | 1500 | 475 | 122 | 102 | 183kg |
| 1197 | 1000 | 655 | 135 | 120 | 200kg |
| 1601 | 1000 | 920 | 160 | 145 | 330kg |
| 1701 | 1000 | 1070 | 160 | 145 | 380kg |
| 1001 | 1000 | 1320 | 160 | 145 | 480kg |