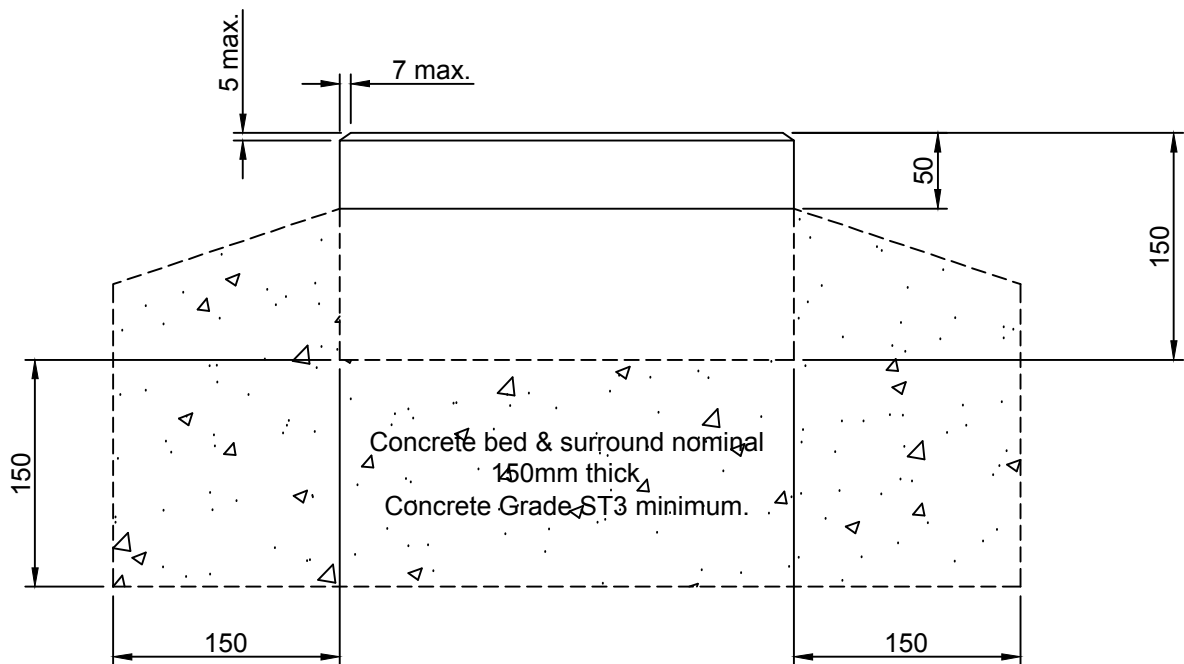
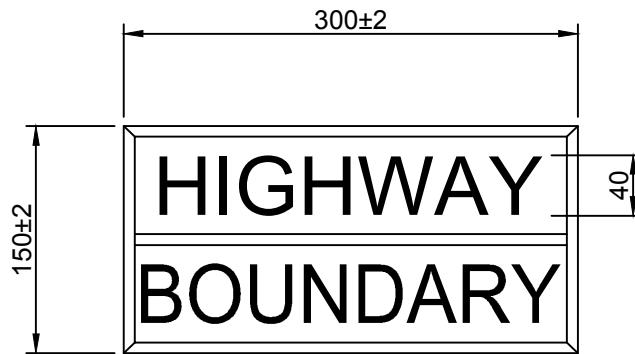
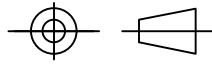


PROJECTION



Notes:

Unit Weight 15kg

					O	28.10.13	For Information		CTC	RD	
REV	DATE	REASON FOR ISSUE	DRN	APP	REV	DATE	REASON FOR ISSUE	DRN	APP		
TITLE :				ELITE PRECAST CONCRETE LIMITED HALESFIELD 9, TELFORD SHROPSHIRE TF7 4QW							
Marker Block 300 x 150 x 150mm "HIGHWAY BOUNDARY" Elite Product Code : CG5				DRG SIZE : A4				SCALE: 1:5		DRG 076	
DRN :	CTC	CHKD :	RD	DATE :	28-10-13			REV	O		