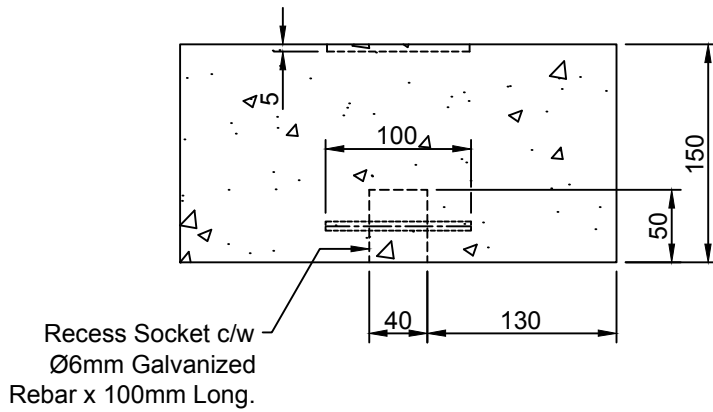
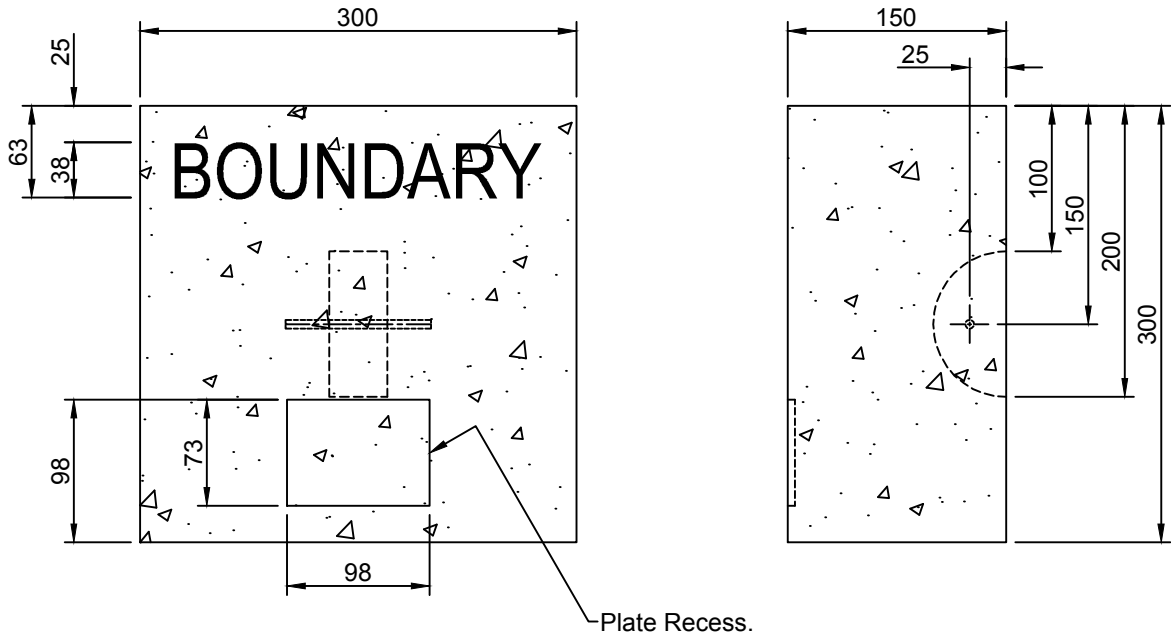
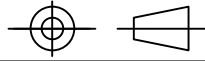


PROJECTION



Notes:

Unit Weight 32kg

					O	28.10.13	For Information	CTC	RD				
REV	DATE	REASON FOR ISSUE	DRN	APP	REV	DATE	REASON FOR ISSUE	DRN	APP				
TITLE:				ELITE PRECAST CONCRETE LIMITED HALESFIELD 9, TELFORD SHROPSHIRE TF7 4QW									
Marker Block 300 x 300 x 150mm "BOUNDARY" Elite Product Code : CG2G													
DRN :	CTC	CHKD :	RD	DATE :	28-10-13	DRG SIZE :	A4	SCALE:	1:5	DRG	114	REV	O