

PROJECTION

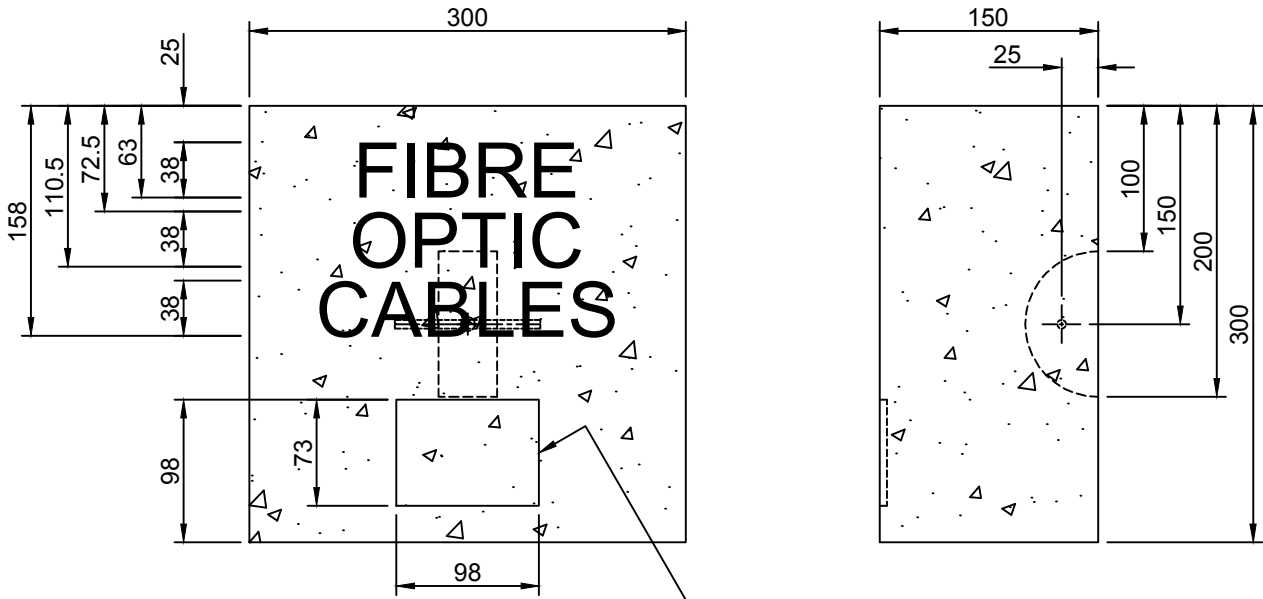
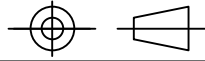
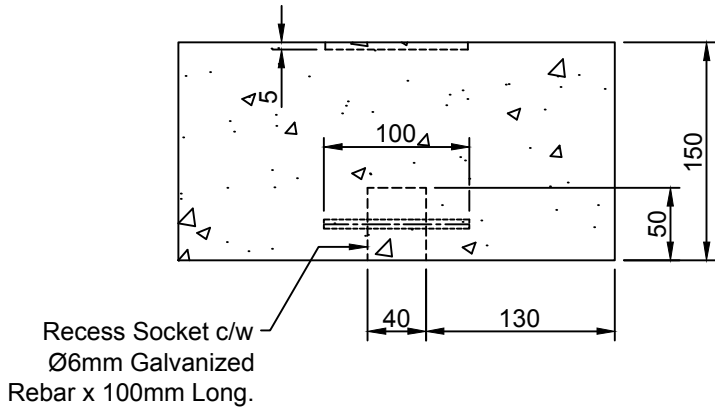


Plate Recess.



Notes:

Unit Weight 32kg

					O	28.10.13	For Information	CTC	RD				
REV	DATE	REASON FOR ISSUE	DRN	APP	REV	DATE	REASON FOR ISSUE	DRN	APP				
TITLE : Marker Block 300 x 300 x 150mm "FIBRE OPTIC CABLES" Elite Product Code : CG2C				ELITE PRECAST CONCRETE LIMITED HALESFIELD 9, TELFORD SHROPSHIRE TF7 4QW									
DRN :	CTC	CHKD :	RD	DATE :	28-10-13	DRG SIZE :	A4	SCALE :	1:5	DRG	078	REV	O