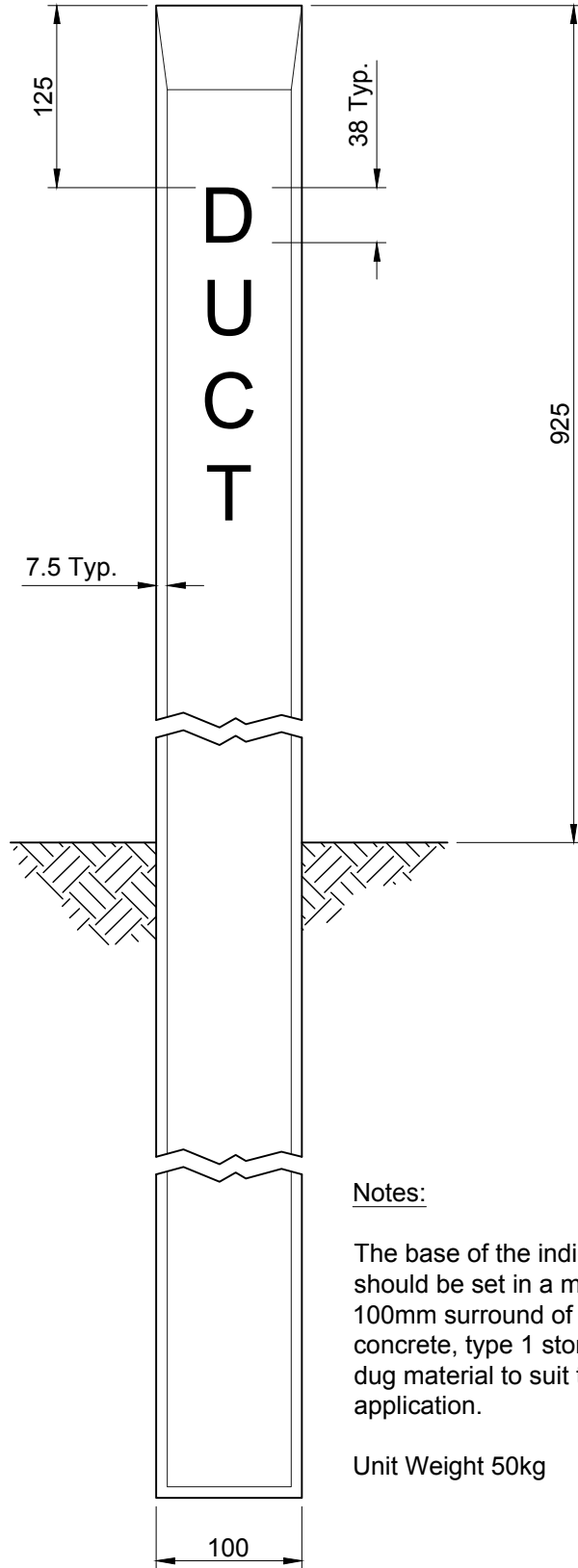
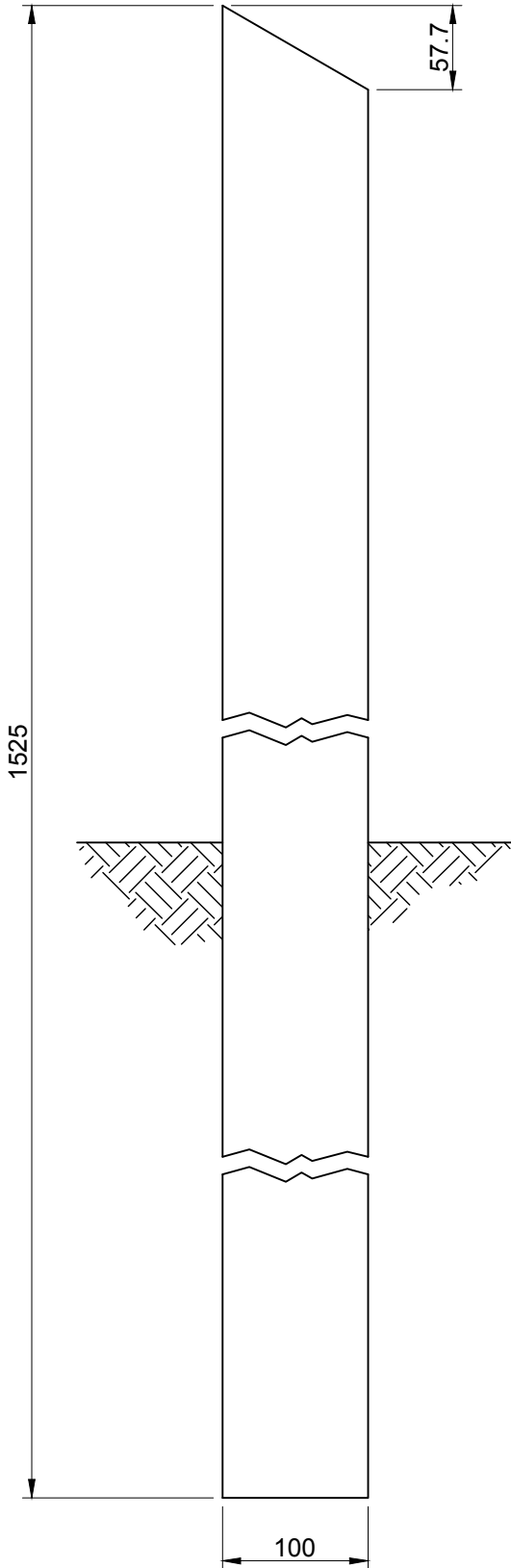
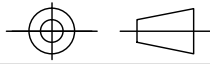


PROJECTION



Notes:

The base of the indicator post should be set in a minimum 100mm surround of C7.5 concrete, type 1 stone or as dug material to suit the application.

Unit Weight 50kg

A	10.03.14	Title Block Updated.	CTC	RD	O	15.07.10	For Information	CTC	RD			
REV	DATE	REASON FOR ISSUE	DRN	APP	REV	DATE	REASON FOR ISSUE	DRN	APP			
TITLE :			ELITE PRECAST CONCRETE LIMITED HALESFIELD 9, TELFORD SHROPSHIRE TF7 4QW									
Indicator Post "Duct" Elite Product Code : -			DRN : CTC		CHKD : RD		DATE : 15-07-10		DRG SIZE : A4	SCALE : 1:5	DRG 026	REV A