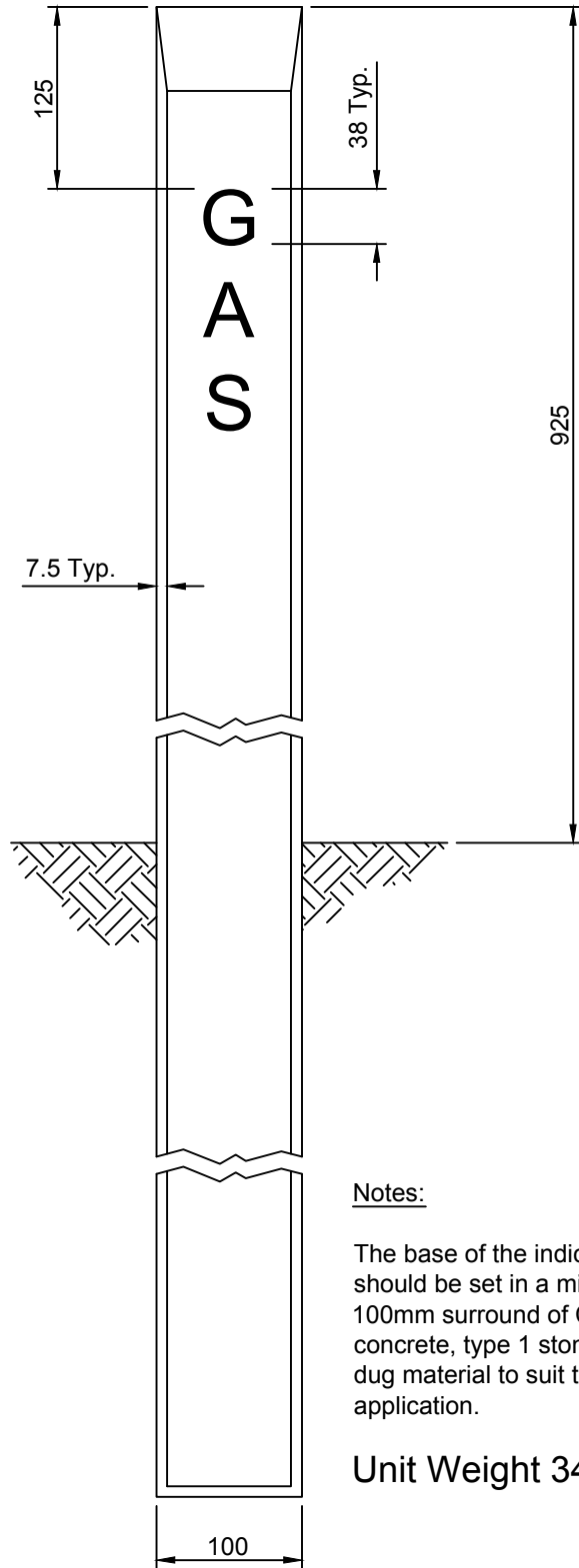
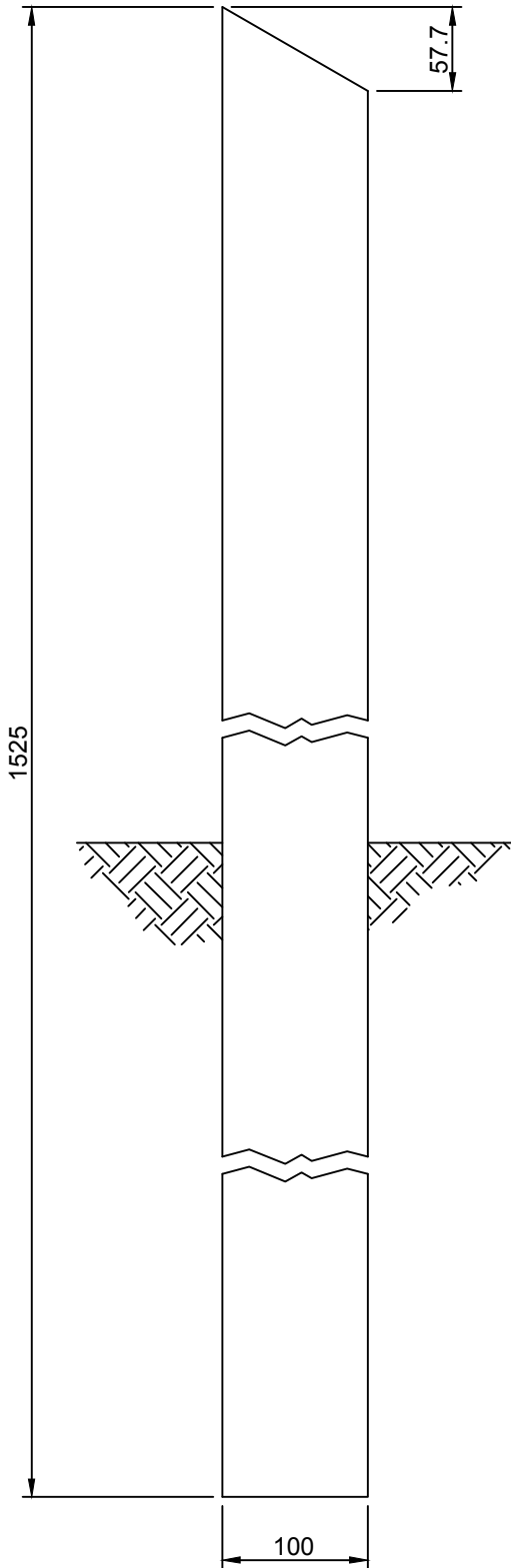
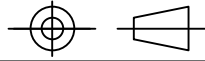


PROJECTION



Notes:

The base of the indicator post should be set in a minimum 100mm surround of C7.5 concrete, type 1 stone or as dug material to suit the application.

Unit Weight 34kg

					O	28.10.13	For Information	CTC	RD				
REV	DATE	REASON FOR ISSUE	DRN	APP	REV	DATE	REASON FOR ISSUE	DRN	APP				
TITLE : Indicator Post "GAS" Elite Product Code : CG311A				ELITE PRECAST CONCRETE LIMITED HALESFIELD 9, TELFORD SHROPSHIRE TF7 4QW									
DRN :	CTC	CHKD :	RD	DATE :	28-10-13	DRG SIZE :	A4	SCALE :	1:5	DRG	109	REV	O