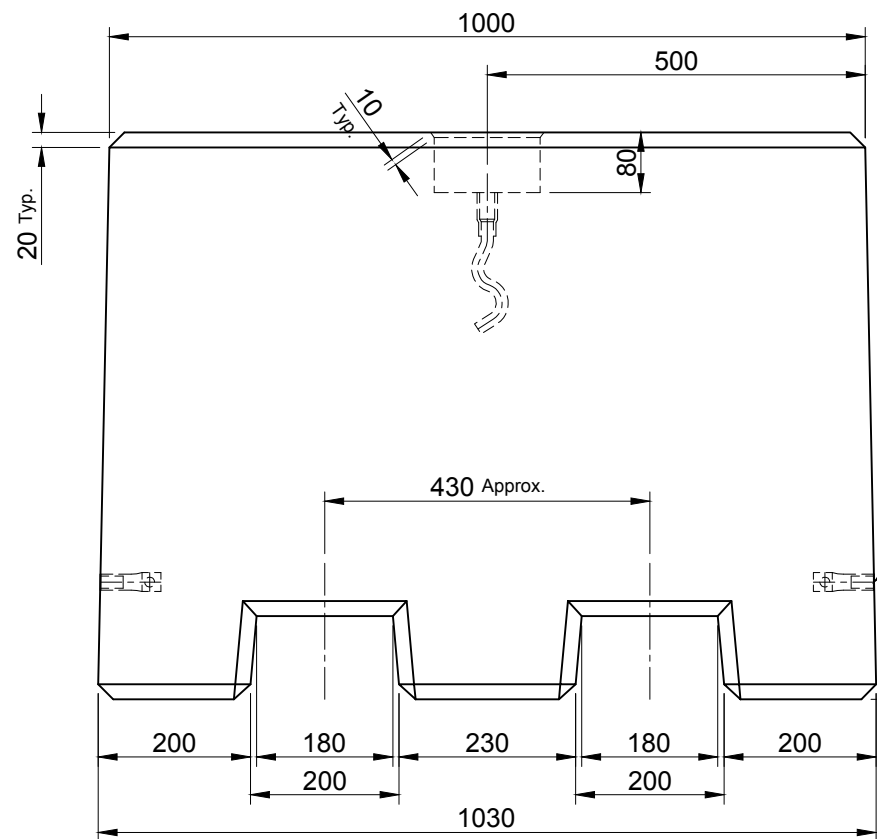
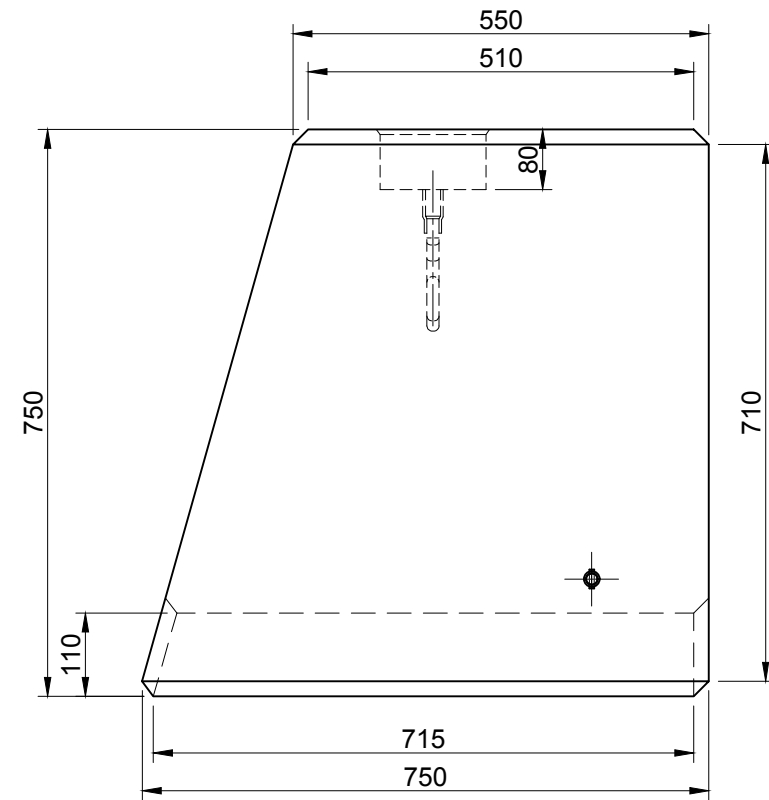


M20 Short Wavy Tailed Lifting Socket  
2000Kg SWL.

Weight : 1100 kg Approx.



M16 Flat End Lifting Socket  
1200Kg SWL.



REV	DATE	REASON FOR ISSUE	DRN	APP	REV	DATE	REASON FOR ISSUE	DRN	APP	TITLE	ELITE PRECAST CONCRETE LTD HALESFIELD 9, TELFORD SHROPSHIRE TF7 4QW	ELITE PRECAST CONCRETE
					A	04.09.18	Weight of block amended.	CTC	RMD	Kentledge Marquee Block (1100kg) 1000mm x 750mm x 750mm Elite Product Code : KM1000		
				O	19.08.16	For Information.	CTC	RMD				
REV	DATE	REASON FOR ISSUE	DRN	APP	REV	DATE	REASON FOR ISSUE	DRN	APP	DRN CTC CHKD RMD DATE 19-08-16 SIZE A3 SCALE 1:10 DRG EPC-MQE-001 REV A		