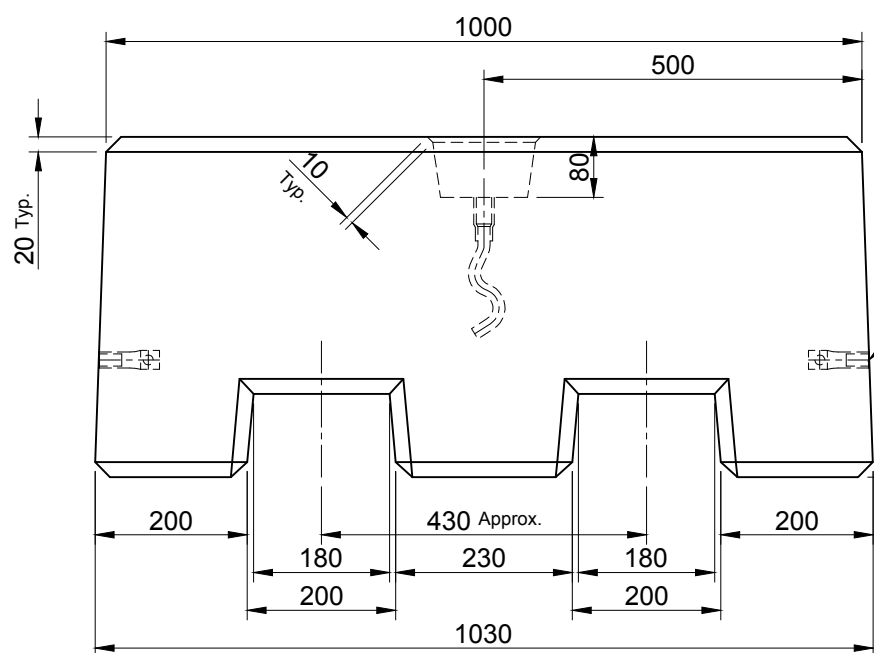
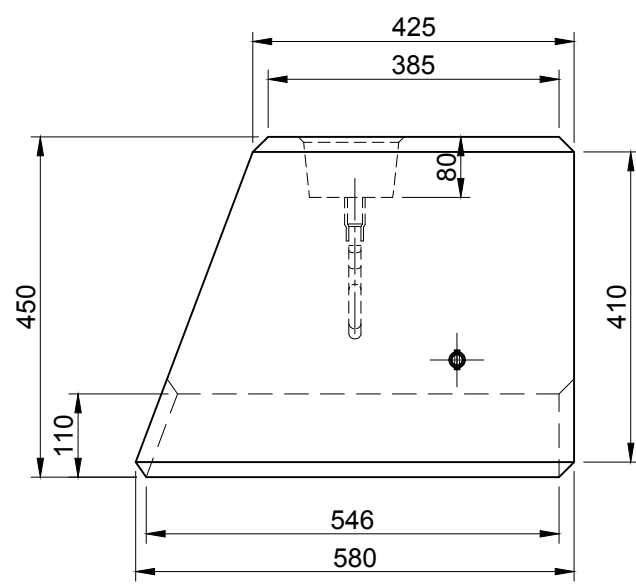


M20 Short Wavy Tailed Lifting Socket  
2000Kg SWL.

Weight : 480 kg Approx.



M16 Flat End Lifting Socket  
1200Kg SWL.



										TITLE		Kentledge Marquee Block (480kg) 1000mm x 550mm x 450mm Elite Product Code : KM500			ELITE PRECAST CONCRETE LTD HALESFIELD 9, TELFORD SHROPSHIRE TF7 4QW														
										CTC	RMD																		
										O	19.08.16	For Information.																	
										A	04.09.18	Weight of Block Amended.																	
REV	DATE	REASON FOR ISSUE			DRN	APP	REV	DATE	REASON FOR ISSUE			DRN	APP			DRN	CTC	CHKD	RMD	DATE	19-08-16	SIZE	A3	SCALE	1:10	DRG	EPC-MQE-002	REV	A