

1. Handling

Unit Volume / Weight

Unit Ref : **BL3**
 Volume : **0.481 m³**
 Weight : **1125 kg**

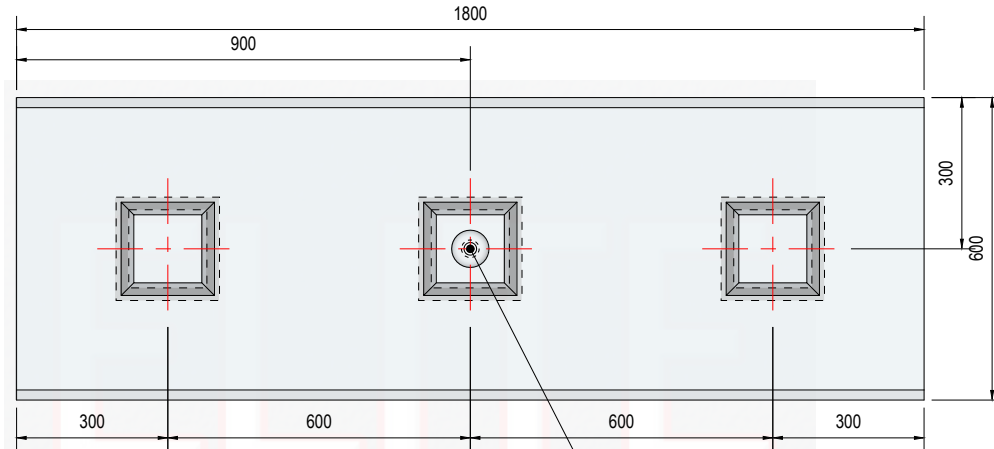
- Weight is based on 2,350 kg/m³
- Lifting system is by means of a 280mm long spherical pin anchor rated at 2.5 tonnes with a safety factor of 3.
- Lifting is achieved by use of a 2.5t rated pin anchor ring clutch or combination ring clutch only and should comply with the Lifting Operation & Lifting Equipment Regulations 1998 (LOLER).

Lifting Pin Characteristics

Anchor Type : **T-025-0280**
 Anchor Length : **280mm**
 dia : **14mm**
 Foot dia : **35mm**
 Load Class : **2.5 tonnes**

IMPORTANT NOTE :

Prior to lifting older / pre-used blocks, check the lifting pin for wear / corrosion and check the block for cracks. If the block is cracked or the pin is worn, it could fail when lifting.



ø74mm dia semi-spherical recess in the gravitational centre of the block for the pin anchor.
 (pin anchor is rated to 2.5 tonnes with a safety factor of 3).

2. Concrete

- Characteristic 28 day cube strength = 50 N/mm² min.
- Concrete is Class A1 Fire Resistant in accordance with clause 4.3.4.4 of EN 13369

3. Manufacture

- Manufactured to : **BS EN 13369 : 2013**
- Tolerances to : **BS EN 13670 : 2009**

4. Physical & Chemical Properties

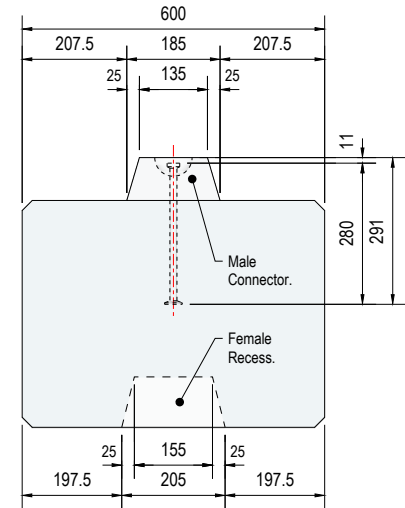
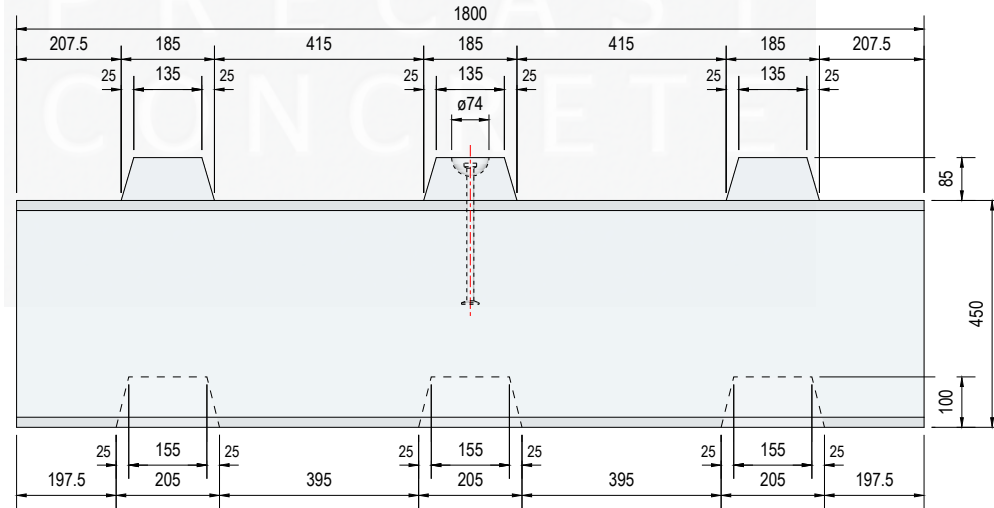
- Appearance : Grey in Colour
- Other Chemical Properties : Not Applicable

5. Design

- Design Life : **>100 years**

6. Manufacture Tolerances

- Length **±5mm**
- Width **±5mm**
- Height **±5mm**



| | | | | |
|-----|----------|------------------------------|-----|-----|
| | | | | |
| | | | | |
| | | | | |
| C | 18.01.23 | Title block & notes updated. | CTC | RMD |
| REV | DATE | REASON FOR ISSUE | DRN | APP |

| | | | | |
|---|--|-----|------|----------|
| TITLE | | | | |
| Duo™ Interlocking Concrete Block | | | | |
| 1800mm x 600mm x 450mm (Male / Female Interlocks) | | | | |
| Elite Product Code : BL3 | | | | |
| | | DRN | CTC | CHKD |
| | | RMD | DATE | 23-06-16 |

| | | |
|----------------------------|-------------|-------|
| ELITE PRECAST CONCRETE LTD | | |
| HALESFIELD 9, TELFORD | | |
| SHROPSHIRE TF7 4QW | | |
| www.eliteprecast.co.uk | | |
| SIZE | A4 | SCALE |
| SCALE | 1:15 | DRG |
| DRG | EPC-DUO-003 | REV |
| REV | C | |