

1. Handling

Unit Volume / Weight

Unit Ref : **BL2**
 Volume : **0.321 m³**
 Weight : **750 kg**

- Weight is based on 2,350 kg/m³
- Lifting system is by means of a 170mm long spherical pin anchor rated at 2.5 tonnes with a safety factor of 3.
- Lifting is achieved by use of a 2.5t rated pin anchor ring clutch or combination ring clutch only and should comply with the Lifting Operation & Lifting Equipment Regulations 1998 (LOLER).

Lifting Pin Characteristics

Anchor Type : **T-025-0170**
 Anchor Length : **170mm**
 dia : **14mm**
 Foot dia : **35mm**
 Load Class : **2.5 tonnes**

IMPORTANT NOTE :

Prior to lifting older / pre-used blocks, check the lifting pin for wear / corrosion and check the block for cracks. If the block is cracked or the pin is worn, it could fail when lifting.

2. Concrete

- Characteristic 28 day cube strength = 50 N/mm² min.
- Concrete is Class A1 Fire Resistant in accordance with clause 4.3.4.4 of EN 13369

3. Manufacture

- Manufactured to : **BS EN 13369 : 2013**
- Tolerances to : **BS EN 13670 : 2009**

4. Physical & Chemical Properties

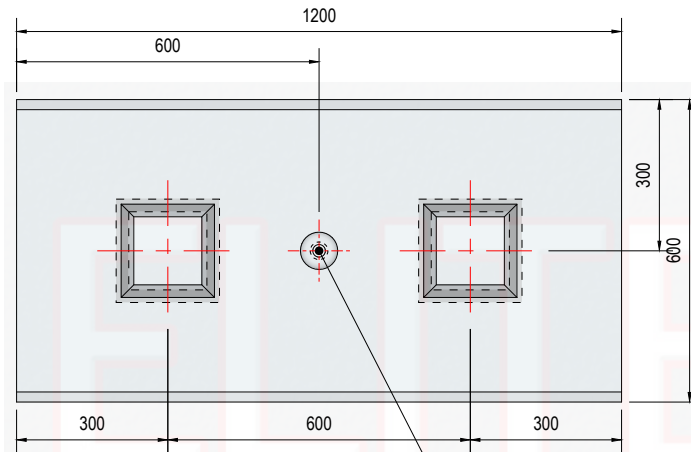
- Appearance : Grey in Colour
- Other Chemical Properties : Not Applicable

5. Design

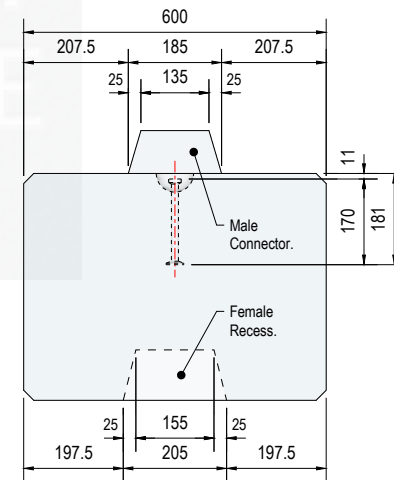
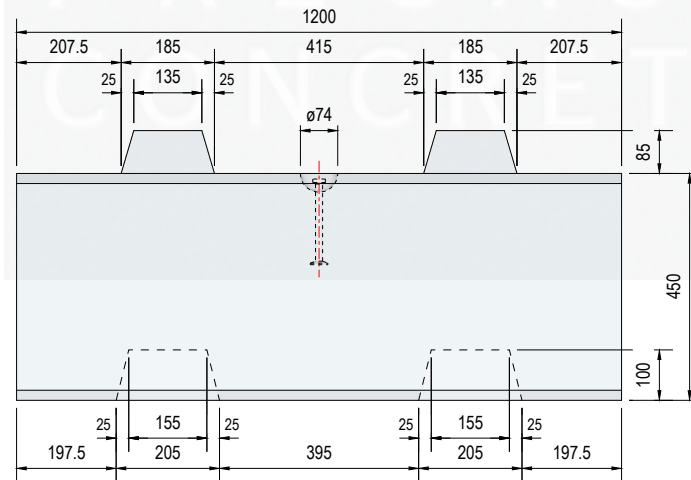
- Design Life : **>100 years**

6. Manufacture Tolerances

- Length **±5mm**
- Width **±5mm**
- Height **±5mm**



ø74mm dia semi-spherical recess in the gravitational centre of the block for the pin anchor.
 (pin anchor is rated to 2.5 tonnes with a safety factor of 3).



B	18.01.23	Title block & notes updated.	CTC	RMD
REV	DATE	REASON FOR ISSUE	DRN	APP

TITLE				
Duo™ Interlocking Concrete Block 1200mm x 600mm x 450mm (Male / Female Interlocks) Elite Product Code : BL2				
		DRN	CTC	CHKD RMD
DATE	23-06-16	SIZE	A4	SCALE 1:15

ELITE PRECAST CONCRETE LTD HALESFIELD 9, TELFORD SHROPSHIRE TF7 4QW www.eliteprecast.co.uk		
DRG	EPC-DUO-002	
REV	B	