

**1. Handling**

• Unit Volume / Weight

Unit Ref : BL1F  
 Volume : 0.158 m<sup>3</sup>  
 Weight : 375 kg

• Weight is based on 2,350 kg/m<sup>3</sup>

• Lifting system is by means of a 170mm long spherical pin anchor rated at 2.5 tonnes with a safety factor of 3.

• Lifting is achieved by use of a 2.5t rated pin anchor ring clutch or combination ring clutch only and should comply with the Lifting Operation & Lifting Equipment Regulations 1998 (LOLER).

• Lifting Pin Characteristics

Anchor Type : T-025-0170  
 Anchor Length : 170mm  
 dia : 14mm  
 Foot dia : 35mm  
 Load Class : 2.5 tonnes

**IMPORTANT NOTE :**

Prior to lifting older / pre-used blocks, check the lifting pin for wear / corrosion and check the block for cracks. If the block is cracked or the pin is worn, it could fail when lifting.

**2. Concrete**

- Characteristic 28 day cube strength = 50 N/mm<sup>2</sup> min.
- Concrete is Class A1 Fire Resistant in accordance with clause 4.3.4.4 of EN 13369

**3. Manufacture**

- Manufactured to : BS EN 13369 : 2013
- Tolerances to : BS EN 13670 : 2009

**4. Physical & Chemical Properties**

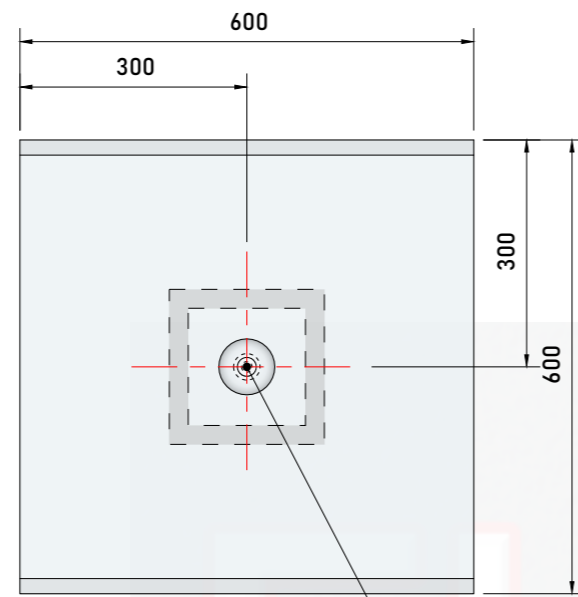
- Appearance : Grey in Colour
- Other Chemical Properties : Not Applicable

**5. Design**

- Design Life : >100 years

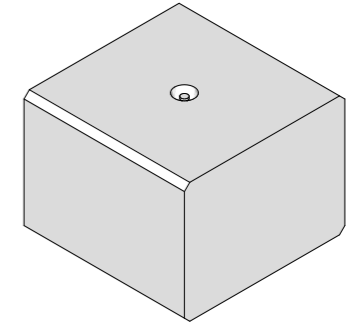
**6. Manufacture Tolerances**

- Length ±5mm
- Width ±5mm
- Height ±5mm

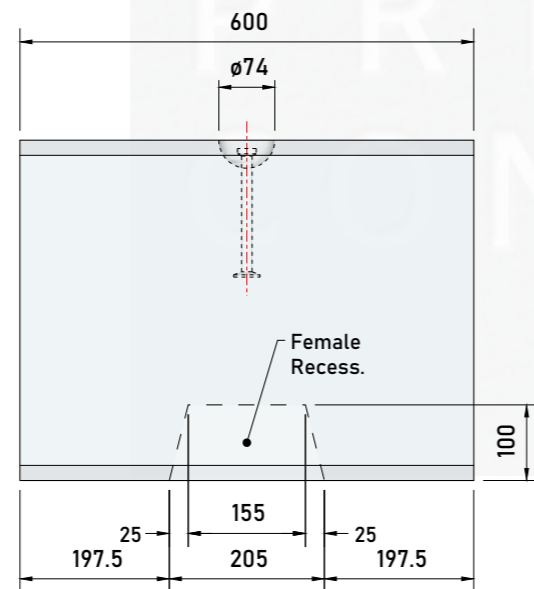


**TOP**

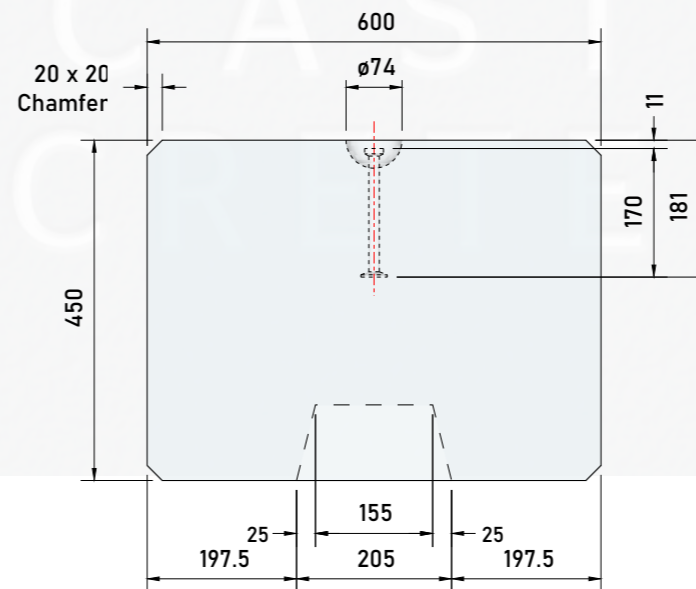
ø74mm dia semi-spherical recess in the gravitational centre of the block for the pin anchor.  
 (pin anchor is rated to 2.5 tonnes with a safety factor of 3).



**Isometric View**



**FRONT**



**SIDE**

REV	DATE	REASON FOR ISSUE	DRN	APP	REV	DATE	REASON FOR ISSUE	DRN	APP	TITLE			ELITE PRECAST CONCRETE LTD HALESFIELD 9, TELFORD SHROPSHIRE TF7 4QW www.eliteprecast.co.uk			ELITE PRECAST CONCRETE	
					B	18.01.23	Title block & notes updated.	CTC	RMD	Duo™ Interlocking Concrete Block 600mm x 600mm x 450mm (Female Interlocks) Elite Product Code : BL1F			EPC-DUO-004		REV B		
				A	03.01.18	Drawing revised & updated.	CTC	RMD									
				O	23.06.16	For information.	CTC	RMD									
										DRN CTC CHKD RMD DATE 23-06-16 SIZE A3 SCALE 1:10							