

1. Handling

• Unit Volume / Weight

Unit Ref : LG7
 Volume : 1.006 m³
 Weight : 2365 kg

• Weight is based on 2,350 kg/m³

• Lifting system is by means of a 180mm long spherical pin anchor rated at 5.0 tonnes with a safety factor of 3.

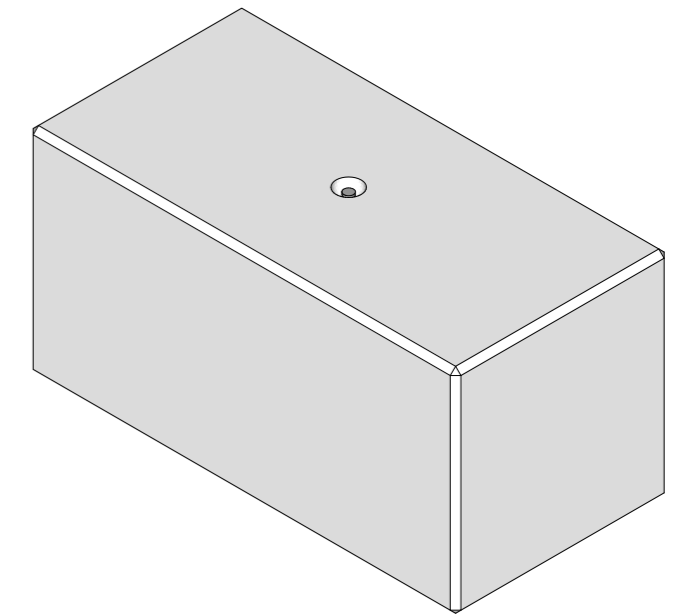
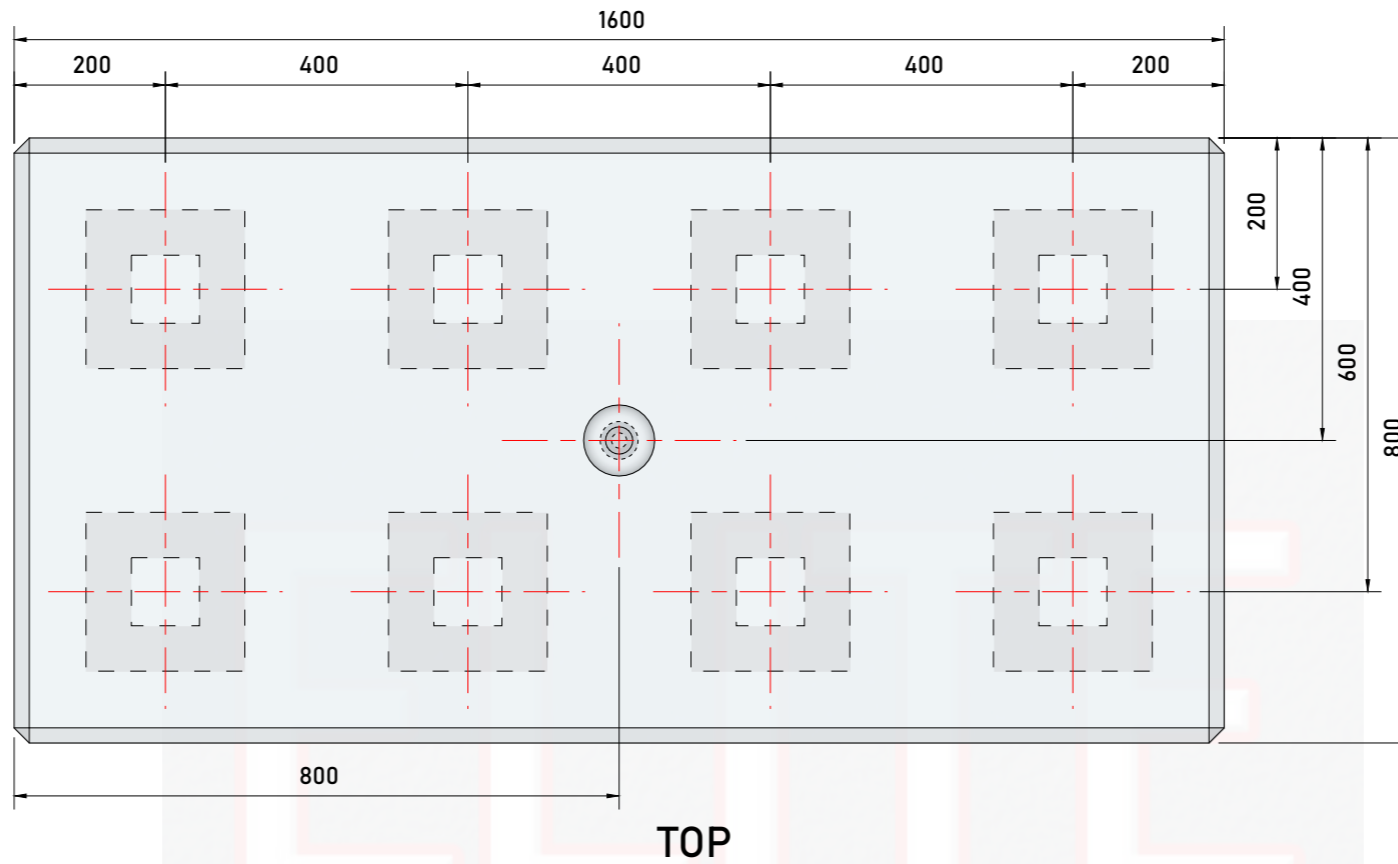
• Lifting is achieved by use of a 5.0t rated pin anchor ring clutch or combination ring clutch only and should comply with the Lifting Operation & Lifting Equipment Regulations 1998 (LOLER).

• Lifting Pin Characteristics

Anchor Type : T-050-0180
 Anchor Length : 180mm
 dia : 20mm
 Foot dia : 50mm
 Load Class : 5.0 tonnes

IMPORTANT NOTE :

Prior to lifting older / pre-used blocks, check the lifting pin for wear / corrosion and check the block for cracks. If the block is cracked or the pin is worn, it could fail when lifting.



Isometric View

2. Concrete

- Characteristic 28 day cube strength = 50 N/mm² min.
- Concrete is Class A1 Fire Resistant in accordance with clause 4.3.4.4 of EN 13369

3. Manufacture

- Manufactured to : BS EN 13369 : 2013
- Tolerances to : BS EN 13670 : 2009

4. Physical & Chemical Properties

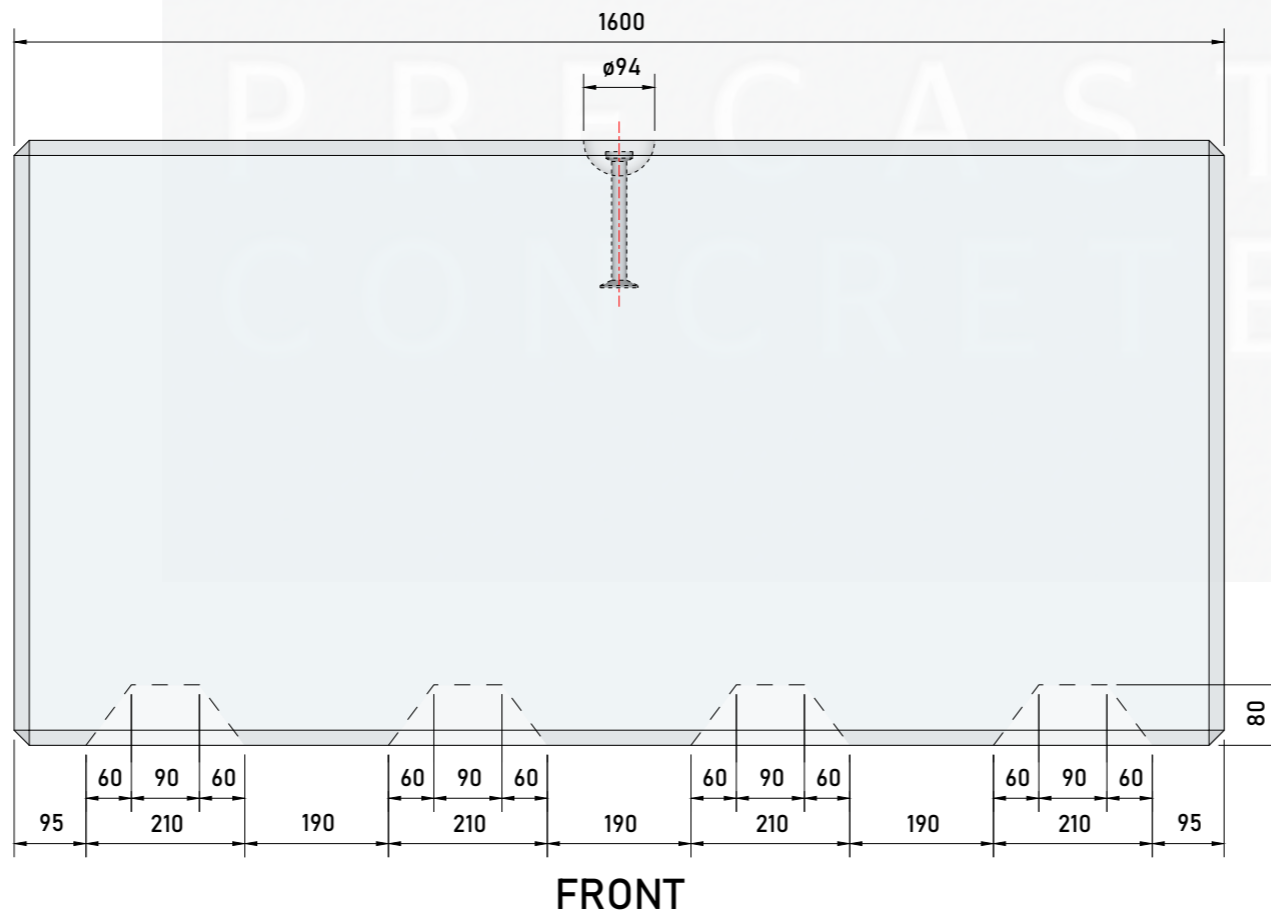
- Appearance : Grey in Colour
- Other Chemical Properties : Not Applicable

5. Design

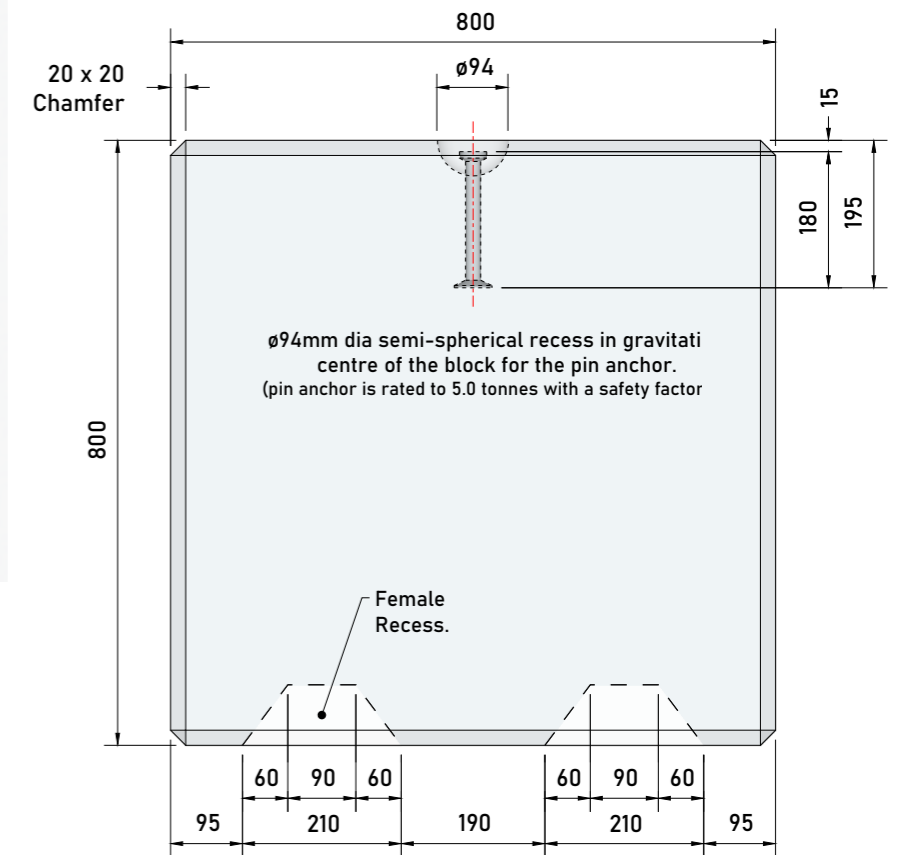
- Design Life : >100 years

6. Manufacture Tolerances

- Length ±5mm
- Width ±5mm
- Height ±5mm



FRONT



SIDE

REV	DATE	REASON FOR ISSUE	DRN	APP	REV	DATE	REASON FOR ISSUE	DRN	APP	TITLE			ELITE PRECAST CONCRETE LTD HALESFIELD 9, TELFORD SHROPSHIRE TF7 4QW www.eliteprecast.co.uk			ELITE PRECAST CONCRETE								
					C	20.01.23	Title block & notes updated.	CTC	RMD	Legato® Interlocking Concrete Block 1600mm x 800mm x 800mm (Female Interlocks) Elite Product Code : LG7			ELITE PRECAST CONCRETE LTD HALESFIELD 9, TELFORD SHROPSHIRE TF7 4QW www.eliteprecast.co.uk											
				B	12.03.20	Registered Trademark ® added to the drawing.	CTC	RMD																
				A	03.01.18	Drawing revised & updated.	CTC	RMD																
				O	23.06.16	For Information.	CTC	RMD																
											DRN	CTC	CHKD	RMD	DATE	23-06-16	SIZE	A3	SCALE	1:10	DRG	EPC-LEG-007	REV	C