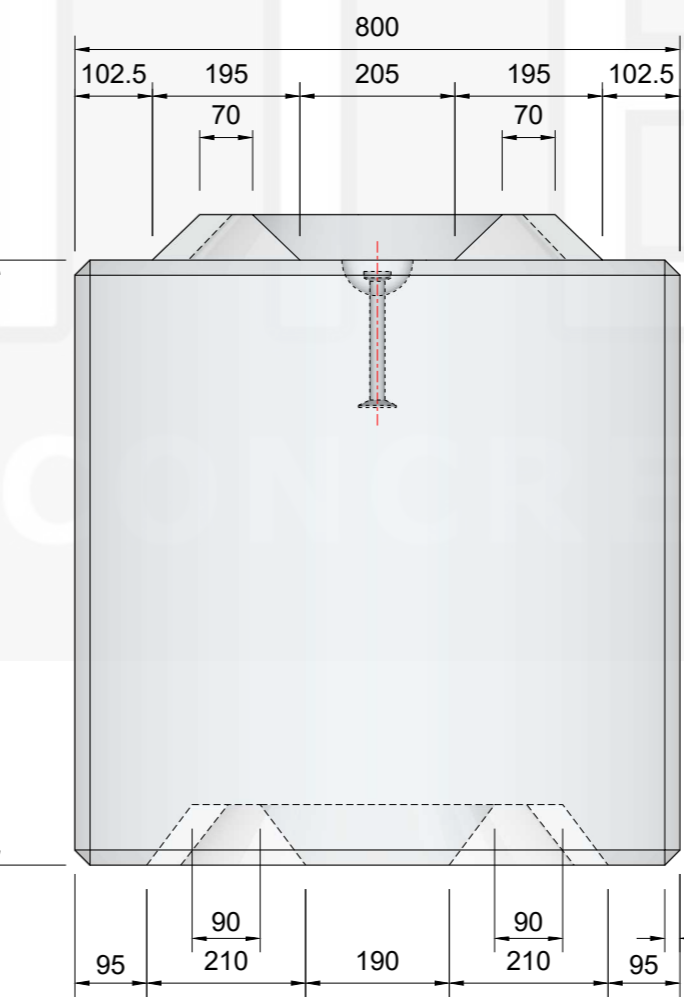
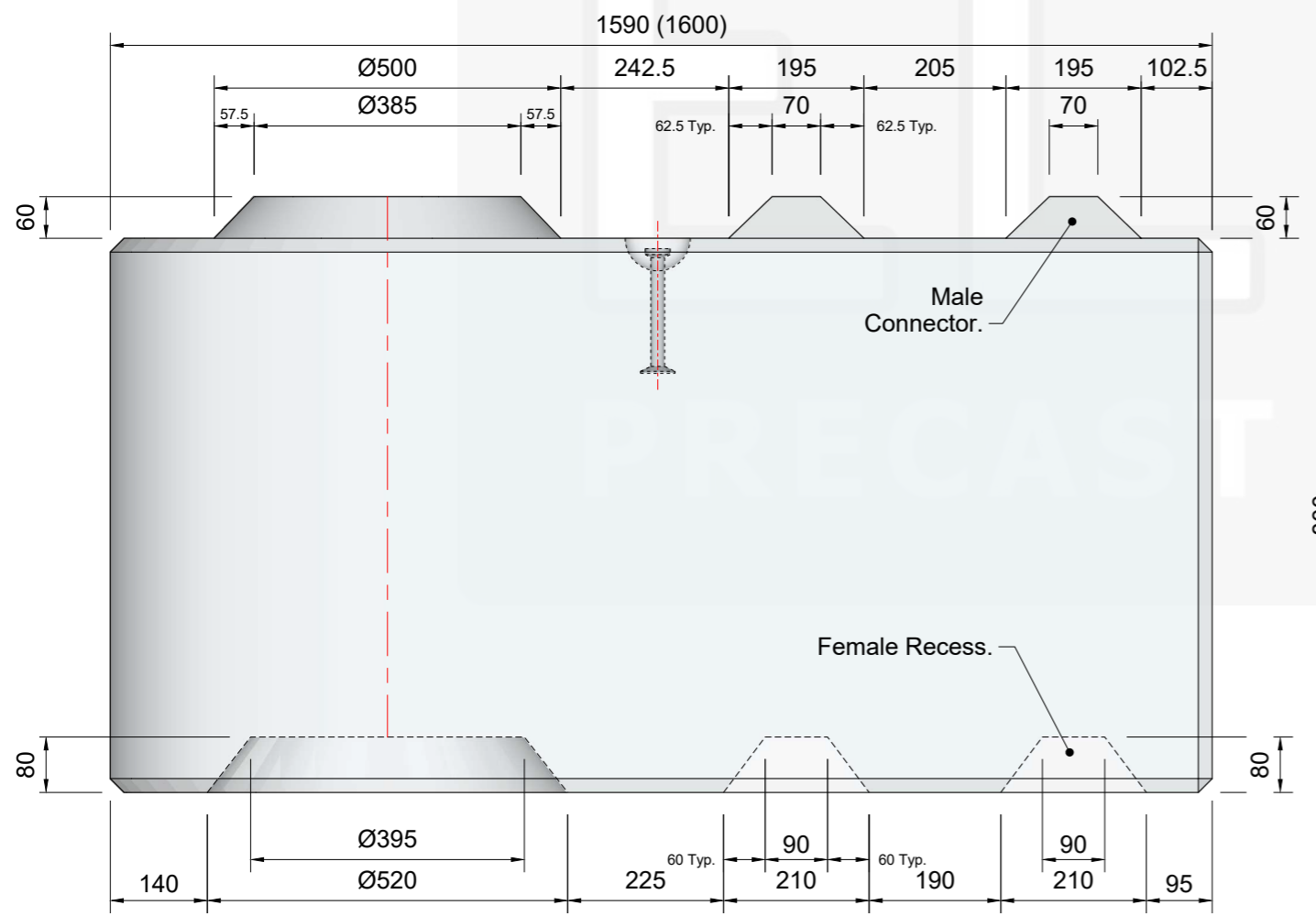


Ø94mm dia semi-spherical recess in gravitational centre of block for pin anchor.
(pin anchor is rated to 5.0 tonnes with a safety factor of 3).



1. Handling

- Unit Volume / Weight

Unit Ref	Volume (m ³)	Weight (kg)
LG12	0.953	2,240

- Weight is based on 2,350 kg/m³
- Lifting system is by means of a 180mm long spherical pin anchor rated at 5.0 tonnes with a safety factor of 3.
- Lifting is achieved by use of a 5.0t rated pin anchor ring clutch or combination ring clutch only and should comply with the Lifting Operation & Lifting Equipment Regulations 1998 (LOLER).

2. Concrete

- Characteristic 28 day cube strength = 50 N/mm² min.
- Concrete is Class A1 Fire Resistant in accordance with clause 4.3.4.4 of EN 13369

3. Manufacture

- Manufactured to : BS EN 13369 : 2013
- Tolerances to : BS EN 13670 : 2009

4. Physical & Chemical Properties

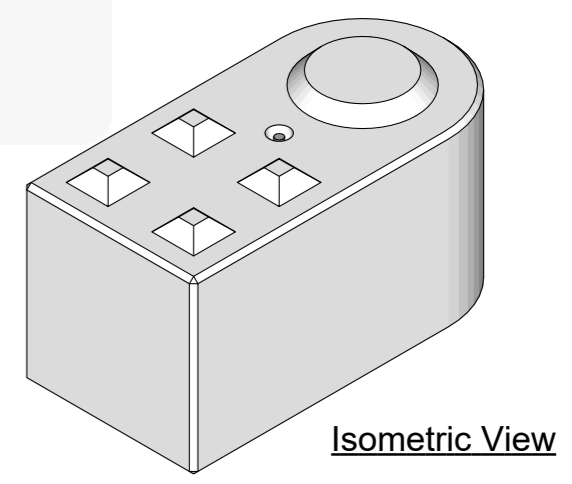
- Appearance : Grey in Colour
- Other Chemical Properties : Not Applicable

5. Design

- Design Life : >100 years

6. Manufacture Tolerances

- Length ±5mm
- Width ±5mm
- Height ±5mm



REV	DATE	REASON FOR ISSUE	DRN	APP	REV	DATE	REASON FOR ISSUE	DRN	APP	TITLE	SIZE	SCALE	DRG	REV
					C	12.03.20	Registered Trademark ® added to drawing.	CTC	RMD	Legato® Interlocking Concrete Block 1600mm x 800mm x 800mm (M / F Interlocks) Elite Product Code : LG12 (BENDI)	A3	1:10	EPC-LEG-012	C
				B	03.01.18	Drawing revised & updated.	CTC	RMD						
				A	19.08.16	Drawing updated with additional details.	CTC	RMD						
				O	23.06.16	For Information.	CTC	RMD						
										DATE	23-06-16			

