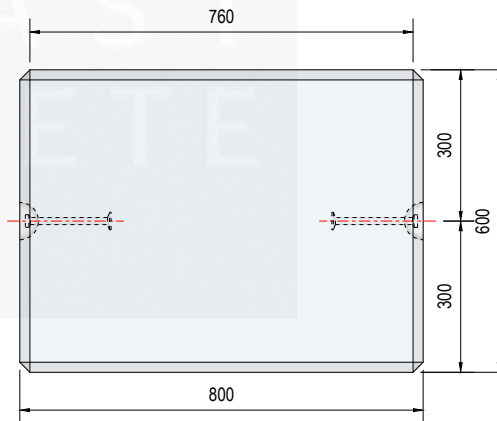
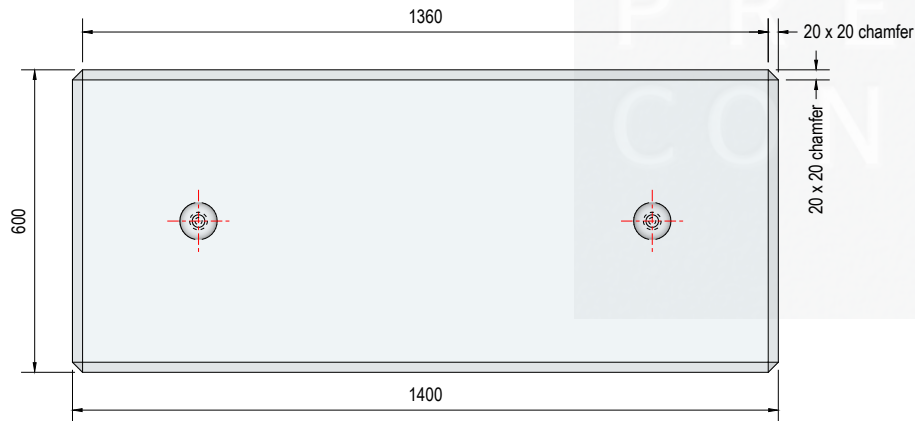





4 x  $\varnothing 74$ mm dia semi-spherical recesses in block for pin anchors  
 (pin anchors are rated to 2.5 tonnes with a safety factor of 3).

**Approx. Weight 1575kg**



					TITLE	Transformer Block 1400mm x 800mm x 600mm Elite Product Code : TB1400			ELITE PRECAST CONCRETE LTD HALESFIELD 9, TELFORD SHROPSHIRE TF7 4QW www.eiiteprecast.co.uk											
O	01.11.23	First Issue.	CTC	RMD			DRN	CTC	CHKD	RMD	DATE	01-11-23	SIZE	A4	SCALE	1:15	DRG	EPC-SPL-050	REV	O
REV	DATE	REASON FOR ISSUE	DRN	APP																