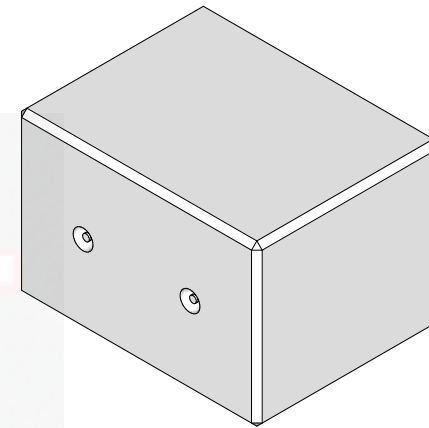
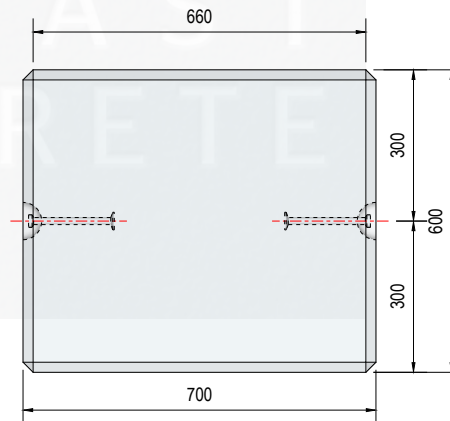
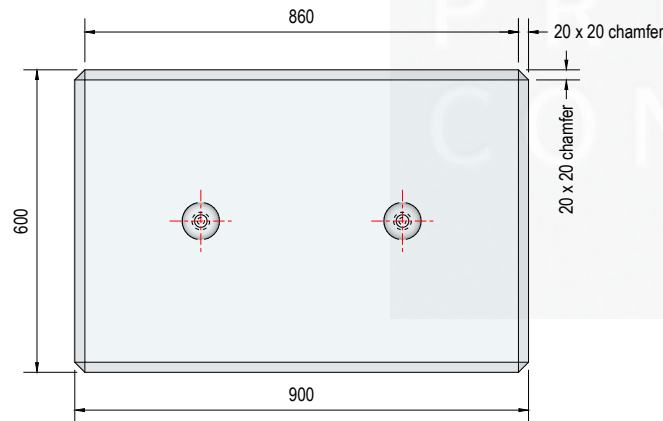


4 x $\varnothing 74$ mm dia semi-spherical recesses in block for pin anchors
 (pin anchors are rated to 2.5 tonnes with a safety factor of 3).



Approx. Weight 885kg



O	10-08-23	First Issue.	CTC	RMD
REV	DATE	REASON FOR ISSUE	DRN	APP

TITLE

Transformer Block
 900mm x 700mm x 600mm
 Elite Product Code : TB900

ELITE PRECAST CONCRETE LTD
 HALESFIELD 9, TELFORD
 SHROPSHIRE TF7 4QW
 www.eiiteprecast.co.uk



DRN CTC

CHKD RMD

DATE 10-08-23

SIZE A4

SCALE 1:15

DRG **EPC-SPL-038**

REV O