

1. Handling

- Unit Weight
Unit Ref : **1012 Duct / Channel**
Weight : **1460 kg**
(including rebar)
- Weight is based on 2,350 kg/m³
- Lifting system is by means of 4 no. 55mm long spherical pin anchors rated at 2.5 tonnes with a safety factor of 3.
- Lifting is achieved by use of 4 no. 2.5t rated suitable pin anchor ring clutches or combination ring clutches only and should comply with the Lifting Operation & Lifting Equipment Regulations 1998 (LOLER).
- Lifting Pin Characteristics**
Anchor Type: **T025-055**
Anchor Length : **55mm**
dia : **14mm**
Foot dia : **35mm**
Load Class : **2.5 tonnes**

IMPORTANT NOTE :

Prior to lifting older / pre-used channels, check the lifting pins for wear / corrosion and check the channel for cracks. If the channel is cracked or the pins are worn / damaged, it could fail when lifting.

2. Concrete

- Characteristic 28 day cube strength = 50 N/mm² min.
- Concrete is Class A1 Fire Resistant in accordance with clause 4.3.4.4 of EN 13369

3. Manufacture

- Manufactured to : **BS EN 13369 : 2013**

4. Physical & Chemical Properties

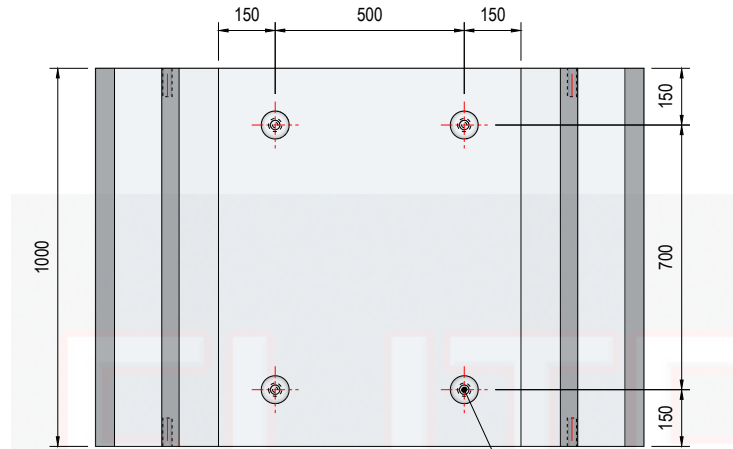
- Appearance : Grey in Colour
- Other Chemical Properties : Not Applicable

5. Design

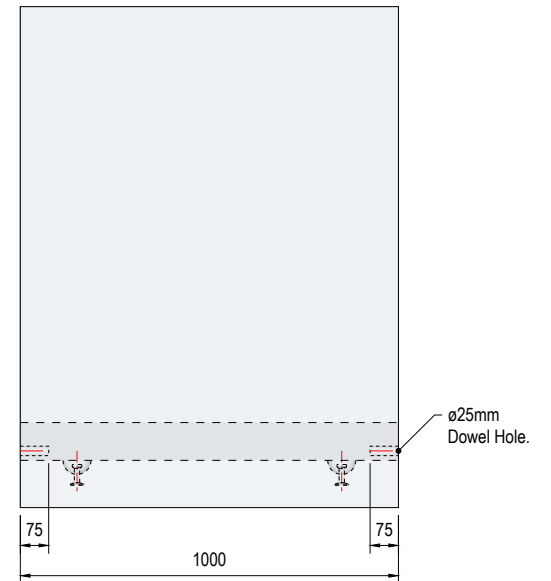
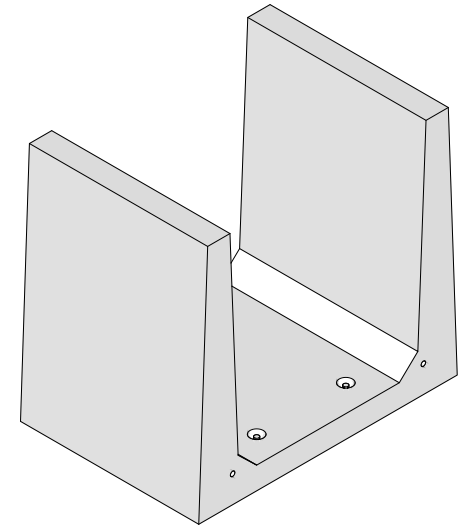
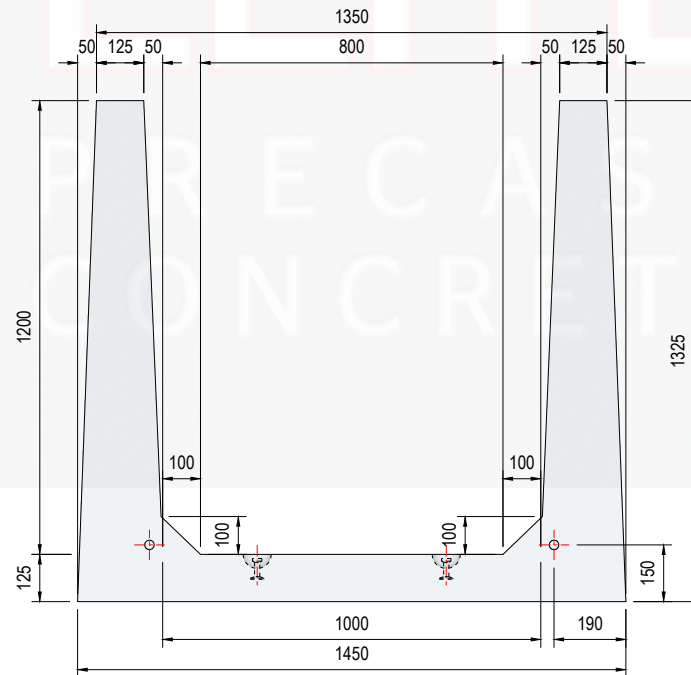
- Design Life : **>100 years**

6. Manufacture Tolerances

- Length **±5mm**
- Width **±5mm**
- Height **±5mm**



4 x 2.5t Lifting Pin x 55mm long
(factor of safety x 3).



B	27.09.23	Channel lifting points changed from M20 Sockets to 2.5t lifting pins.	CTC	RMD
A	03.01.18	Drawing revised & updated.	CTC	RMD
O	21.04.16	First Information.	CTC	RMD
REV	DATE	REASON FOR ISSUE	DRN	APP

TITLE
Channel Section 1000mm x 1200mm (Internal)
1000mm x 1450mm x 1325mm
 Elite Product Code : **1012**

ELITE PRECAST CONCRETE LTD
 HALESFIELD 9, TELFORD
 SHROPSHIRE TF7 4QW
 www.eliteprecast.co.uk



		DRN	CTC	CHKD	RMD	DATE	21-04-16	SIZE	A4	SCALE	1:20	DRG	EPC-1012	REV	B
--	--	-----	-----	------	-----	------	----------	------	----	-------	------	-----	----------	-----	---