

**1. Handling**

- Unit Weight  
Unit Ref : **1755 Duct / Channel**  
Weight : **670 kg**  
(including rebar)
- Weight is based on 2,350 kg/m³
- Lifting system is by means of 4 no. 55mm long spherical pin anchors rated at 2.5 tonnes with a safety factor of 3.
- Lifting is achieved by use of 4 no. 2.5t rated suitable pin anchor ring clutches or combination ring clutches only and should comply with the Lifting Operation & Lifting Equipment Regulations 1998 (LOLER).
- Lifting Pin Characteristics**  
Anchor Type: **T025-055**  
Anchor Length : **55mm**  
dia : **14mm**  
Foot dia : **35mm**  
Load Class : **2.5 tonnes**

**IMPORTANT NOTE :**

Prior to lifting older / pre-used channels, check the lifting pins for wear / corrosion and check the channel for cracks. If the channel is cracked or the pins are worn / damaged, it could fail when lifting.

**2. Concrete**

- Characteristic 28 day cube strength = 50 N/mm² min.
- Concrete is Class A1 Fire Resistant in accordance with clause 4.3.4.4 of EN 13369

**3. Manufacture**

- Manufactured to : **BS EN 13369 : 2013**

**4. Physical & Chemical Properties**

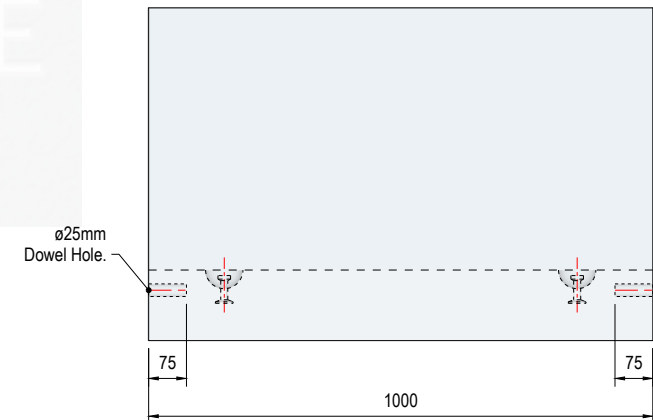
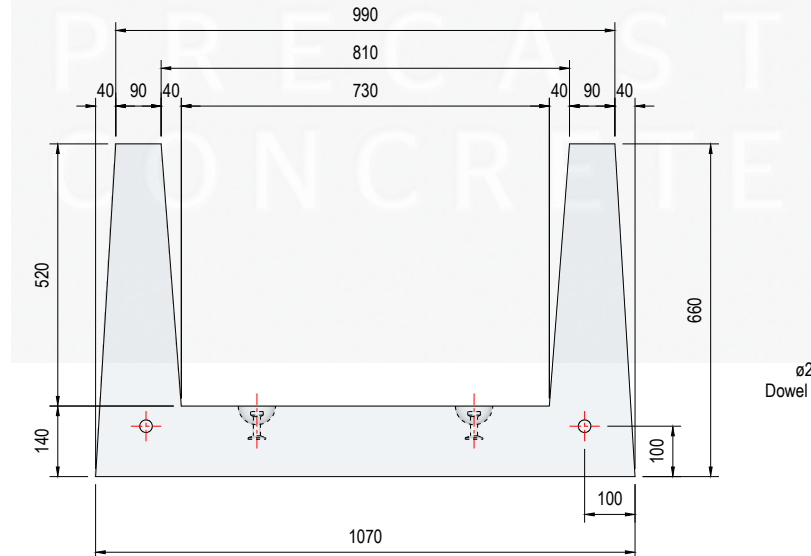
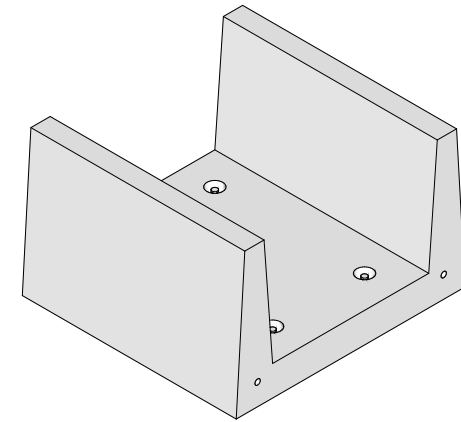
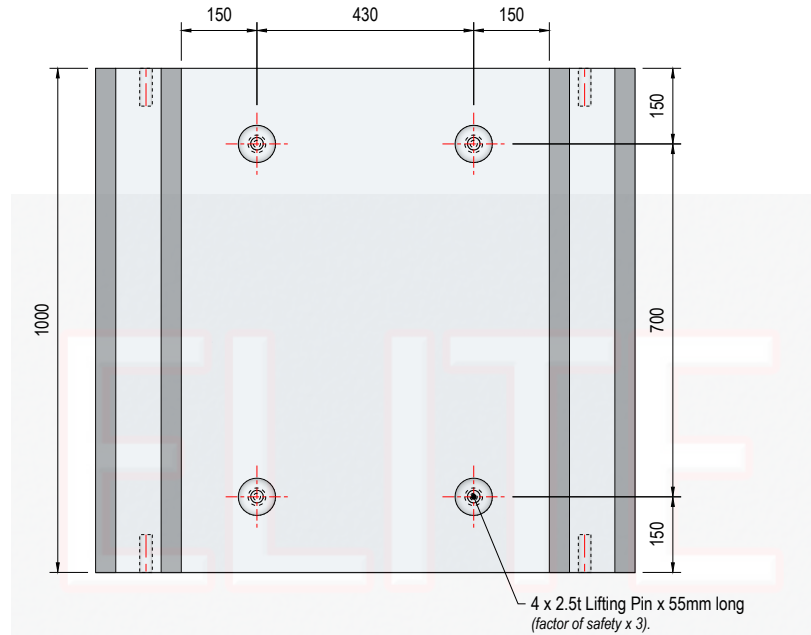
- Appearance : Grey in Colour
- Other Chemical Properties : Not Applicable

**5. Design**

- Design Life : **>100 years**

**6. Manufacture Tolerances**

- Length **±5mm**
- Width **±5mm**
- Height **±5mm**



REV	DATE	REASON FOR ISSUE	DRN	APP
B	27.09.23	Channel lifting points changed from M20 Sockets to 2.5t lifting pins.	CTC	RMD
A	03.01.18	Drawing revised & updated.	CTC	RMD
O	21.04.16	First Information.	CTC	RMD

TITLE  
**Channel Section 730mm x 520mm (Internal)**  
**1000mm x 1070mm x 660mm**  
 Elite Product Code : **1755**

DRN **CTC** CHKD **RMD** DATE **21-04-16**

ELITE PRECAST CONCRETE LTD  
 HALESFIELD 9, TELFORD  
 SHROPSHIRE TF7 4QW  
 www.eliteprecast.co.uk

SIZE **A4** SCALE **1:15** DRG **EPC-1755** REV **B**