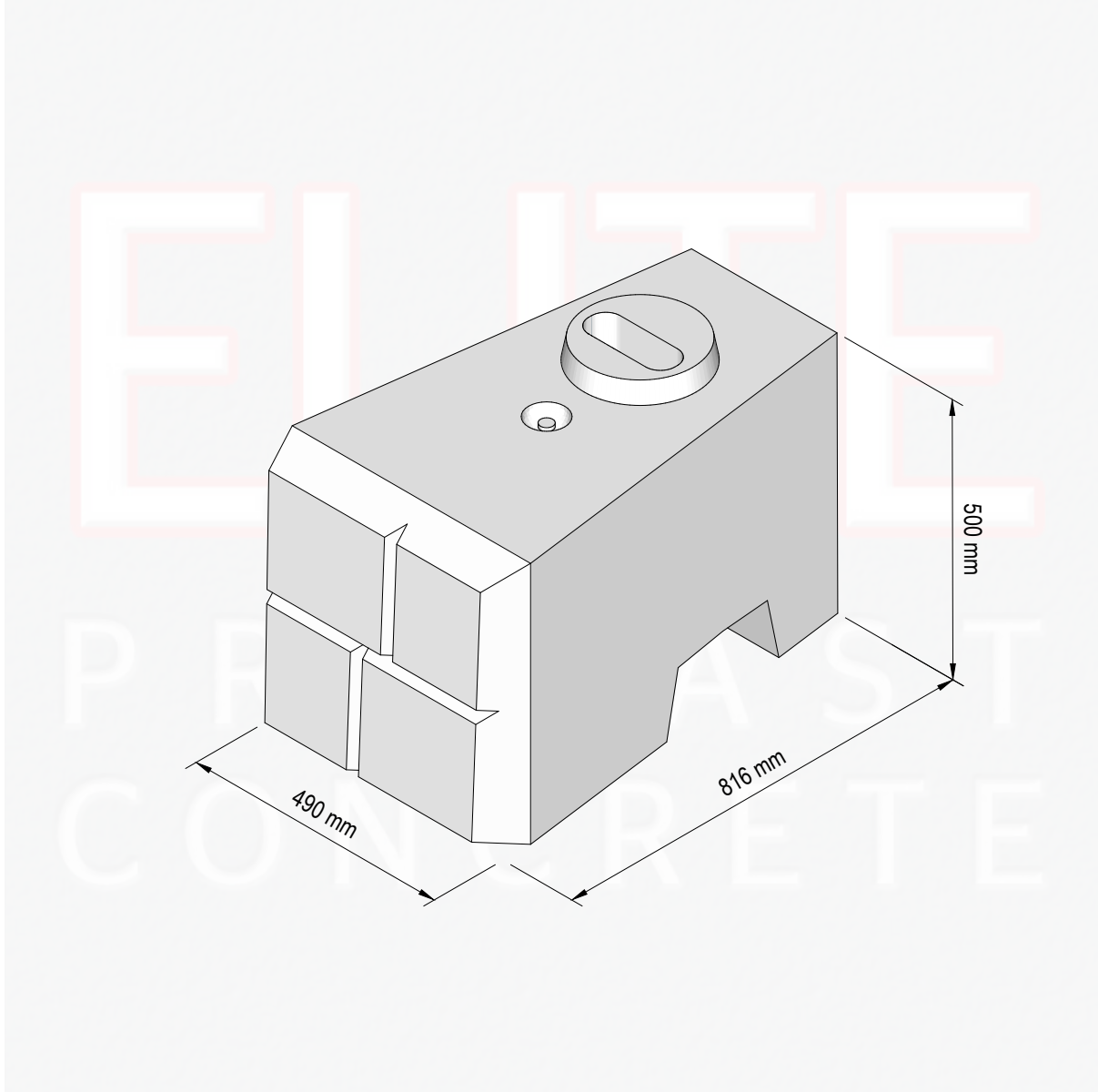


Half Block 2 - Cobblestone - Product Code RRC8-C



Approx. Weight : 345kg

REV	DATE	REASON FOR ISSUE	DRN	APP	REV	DATE	REASON FOR ISSUE	DRN	APP
					O	05.01.24	For Information.		
								CTC	RMD
TITLE					ELITE PRECAST CONCRETE LTD HALESFIELD 9, TELFORD SHROPSHIRE TF7 4QW www.eliteprecast.co.uk				
									
		DRN	CTC	CHKD	PJC	DATE	05-01-24	SIZE	A4
						SCALE	1:10	DRG	EPC-RRC8-C
						REV	O		