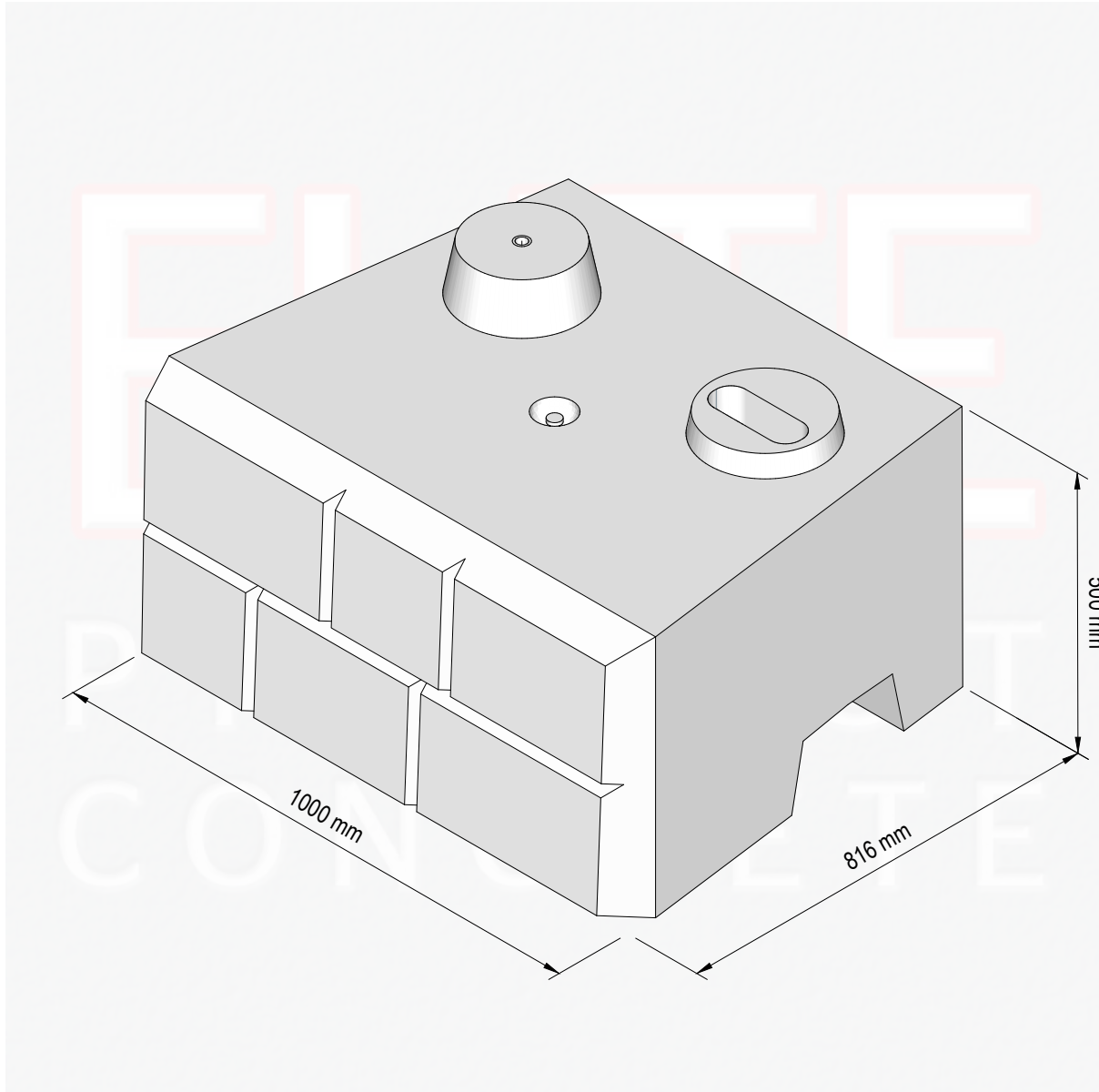


## Full Block - Cobblestone - Product Code RRC6-C



Approx. Weight : 780kg

REV	DATE	REASON FOR ISSUE	DRN	APP	REV	DATE	REASON FOR ISSUE	DRN	APP
					O	05.01.24	For Information.		
								CTC	RMD
TITLE					ELITE PRECAST CONCRETE LTD HALESFIELD 9, TELFORD SHROPSHIRE TF7 4QW <a href="http://www.eliteprecast.co.uk">www.eliteprecast.co.uk</a>				
									
		DRN	CTC	CHKD	PJC	DATE	05-01-24	SIZE	A4
						SCALE	1:10	DRG	EPC-RRC6-C
						REV	O		