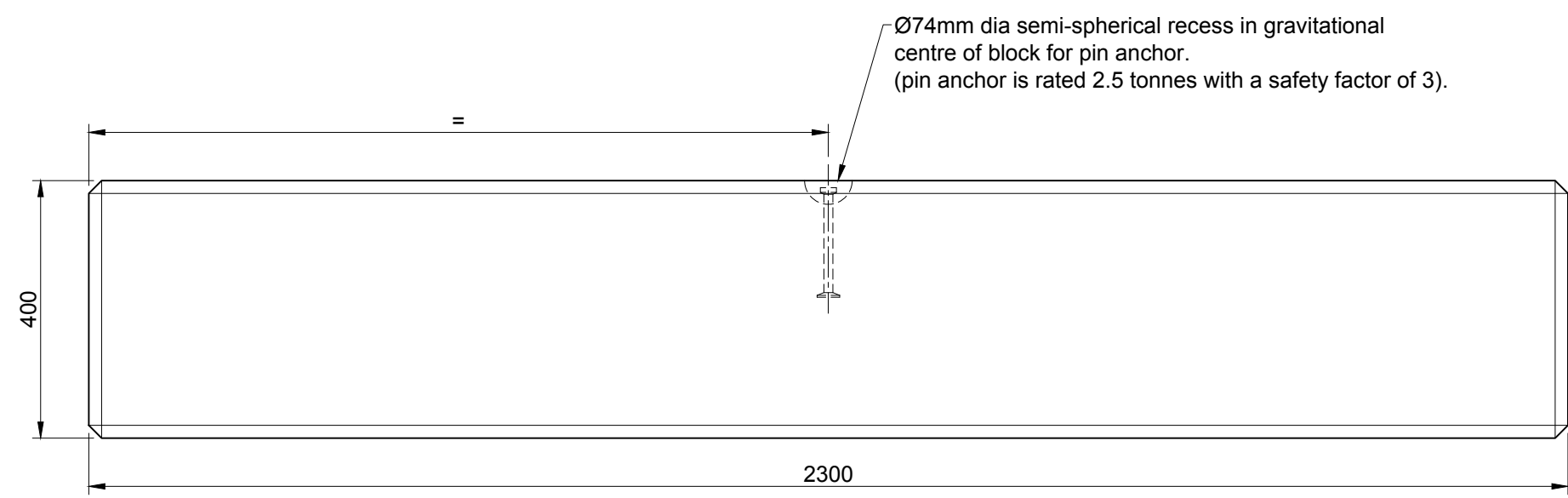
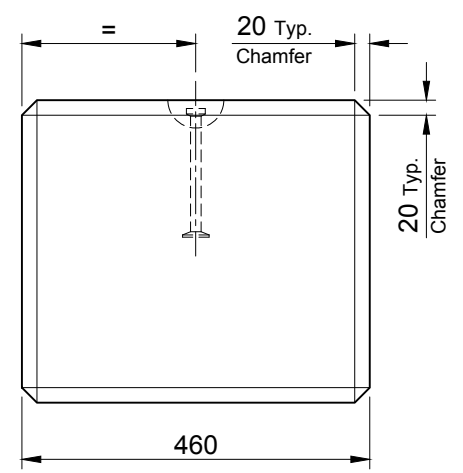


Plan

Total Block Weight : 1000Kg



Elevation



End

ALL Concrete Solar Blocks are manufactured using high strength (50N/mm²) concrete and are Class A1 fire resistant in accordance with clause 4.3.4.4 of EN 13369.

										TITLE				ELITE PRECAST CONCRETE LTD HALESFIELD 9, TELFORD SHROPSHIRE TF7 4QW											
										Solar Block 2300mm x 460mm x 400mm x 1000kg Elite Product Code : KZ1000															
REV	DATE	REASON FOR ISSUE	DRN	APP	REV	DATE	REASON FOR ISSUE	DRN	APP	CTC	RMD	DRN	CTC	CHKD	RMD	DATE	17-05-16	SIZE	A3	SCALE	1:10	DRG	EPC-SOL-001	REV	O