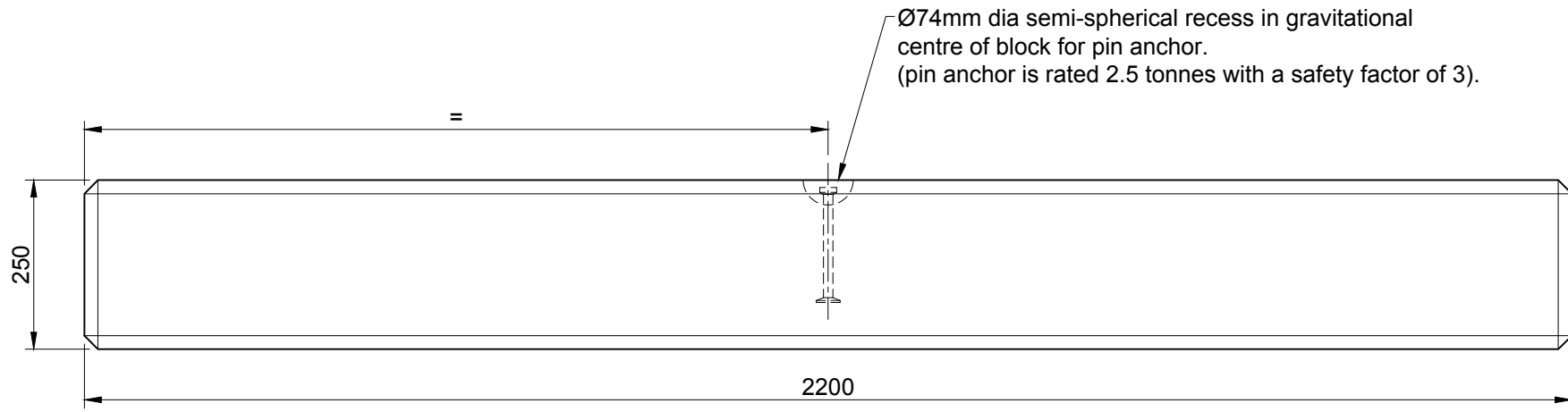
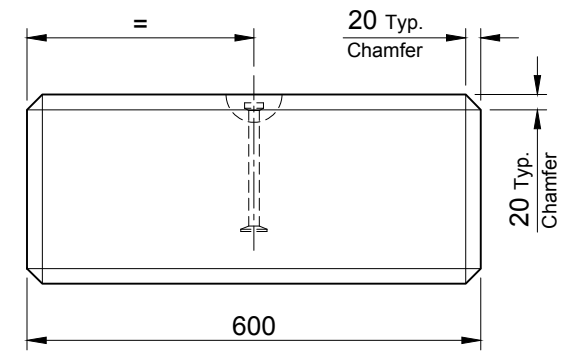


Plan

Total Block Weight : 775Kg



Elevation



End

ALL Concrete Solar Blocks are manufactured using high strength (50N/mm<sup>2</sup>) concrete and are Class A1 fire resistant in accordance with clause 4.3.4.4 of EN 13369.

										TITLE		Solar Block 2200mm x 600mm x 250mm x 775kg Elite Product Code : KZ775			ELITE PRECAST CONCRETE LTD HALESFIELD 9, TELFORD SHROPSHIRE TF7 4QW										
REV	DATE	REASON FOR ISSUE	DRN	APP	REV	DATE	REASON FOR ISSUE	DRN	APP			DRN	CTC	CHKD	RMD	DATE	17-05-16	SIZE	A3	SCALE	1:10	DRG	EPC-SOL-002	REV	O
					O	17.05.16	For Information.																		