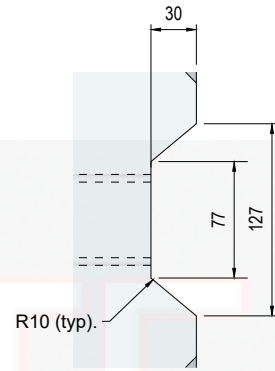
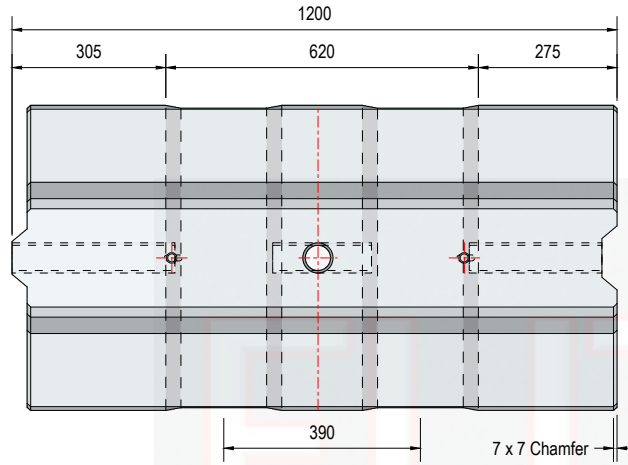
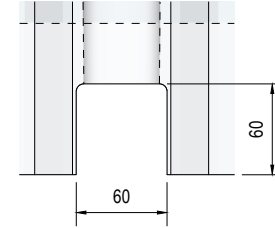


Male Connection
scale 1:5

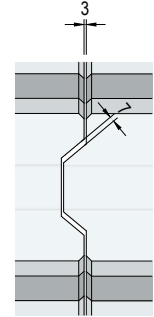


Female Connection
scale 1:5

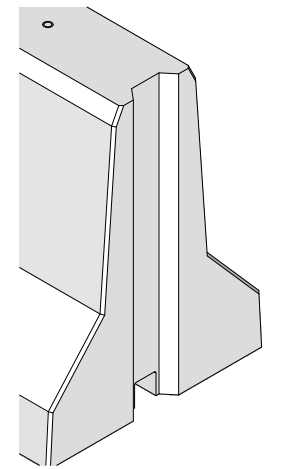
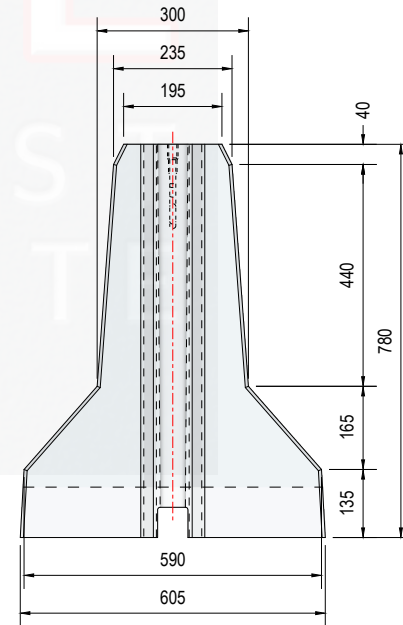
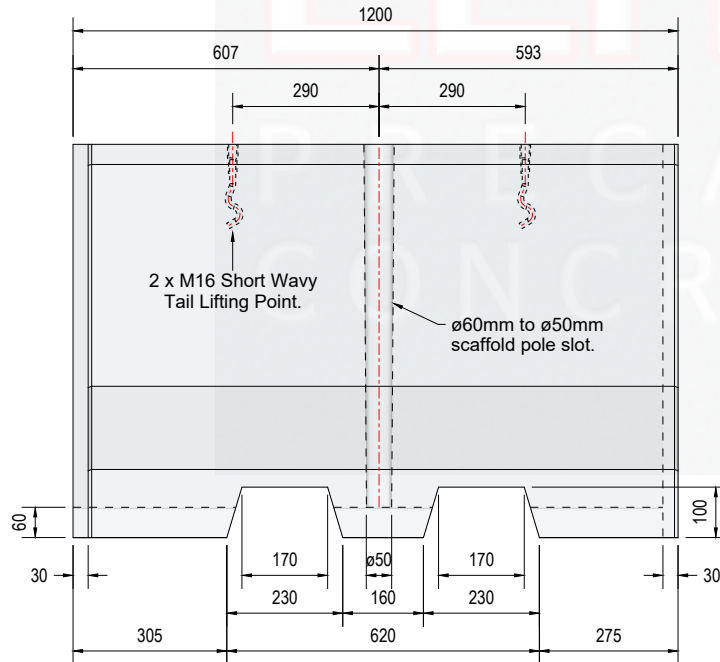
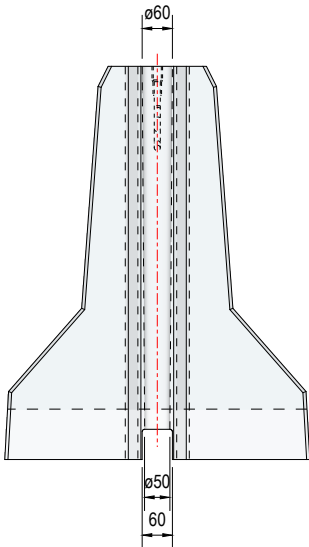


Cable Slot Detail
scale 1:5

Approx. Weight
705 Kg



Typical Joint Connection
scale 1:10



Typical Chamfer Detail
scale 1:15

O	13.11.23	First Issue.	CTC	RMD	
REV	DATE	REASON FOR ISSUE	DRN	APP	

TITLE
Jersey Road Barrier with Scaffold Pole Slot
 (Male / Female Interlocks)
 Elite Product Code : Jersey-Lite™

ELITE PRECAST CONCRETE LTD
 HALESFIELD 9, TELFORD
 SHROPSHIRE TF7 4QW
 www.eliteprecast.co.uk



		DRN	CTC	CHKD	RMD	DATE	13-11-2023	SIZE	A4	SCALE	1:15	DRG	EPC-JER-003	REV	O
--	--	-----	-----	------	-----	------	------------	------	----	-------	------	-----	-------------	-----	---