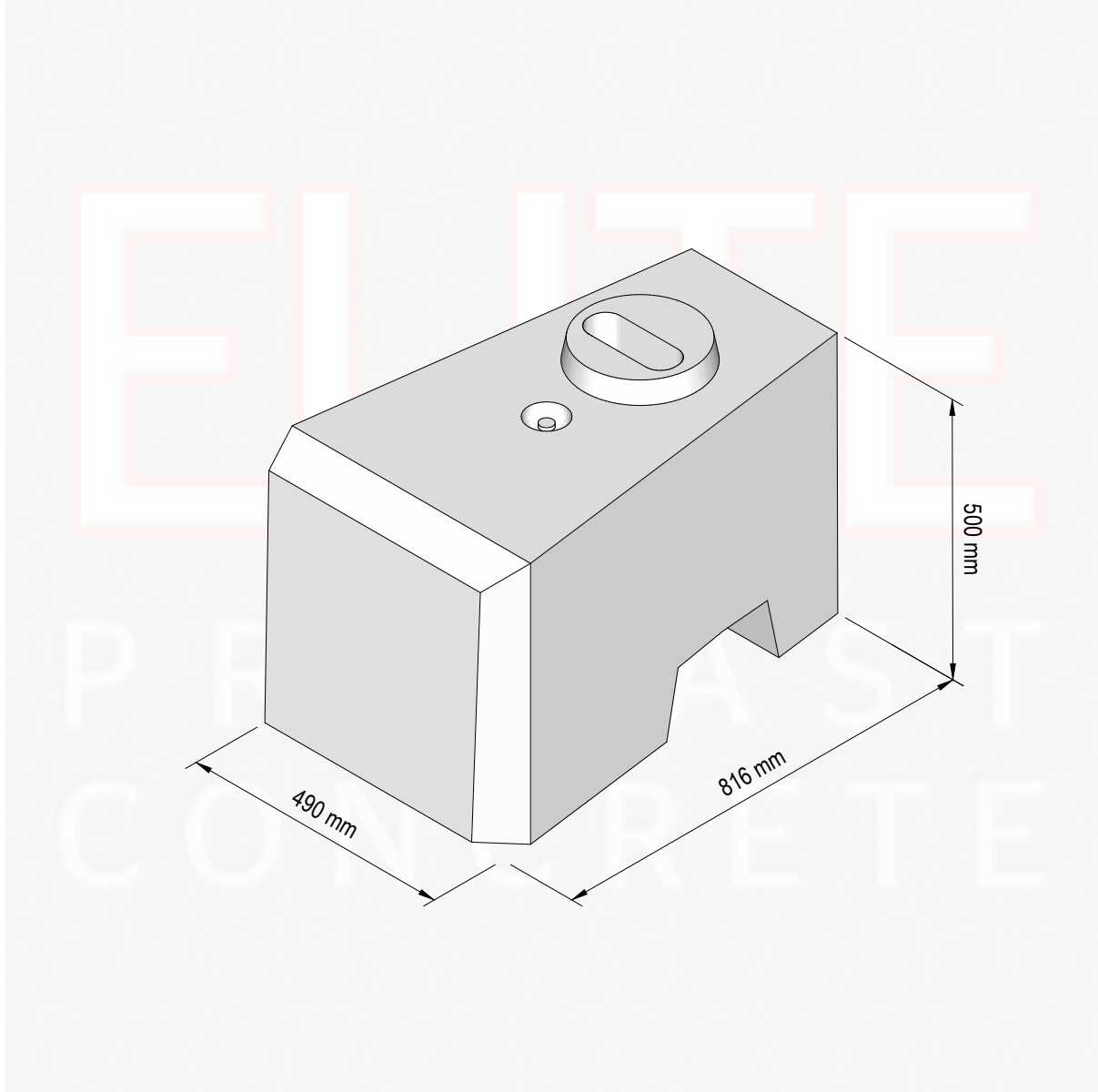


## Half Block 2 - Liscio - Product Code RRC3



Approx. Weight : 354kg

REV	DATE	REASON FOR ISSUE	DRN	APP	REV	DATE	REASON FOR ISSUE	DRN	APP							
					O	05.01.24	For Information.									
								CTC	RMD							
TITLE					ELITE PRECAST CONCRETE LTD HALESFIELD 9, TELFORD SHROPSHIRE TF7 4QW <a href="http://www.eliteprecast.co.uk">www.eliteprecast.co.uk</a>											
																
			DRN	CTC	CHKD	PJC	DATE	05-01-24	SIZE	A4	SCALE	1:10	DRG	EPC-RRC3	REV	O