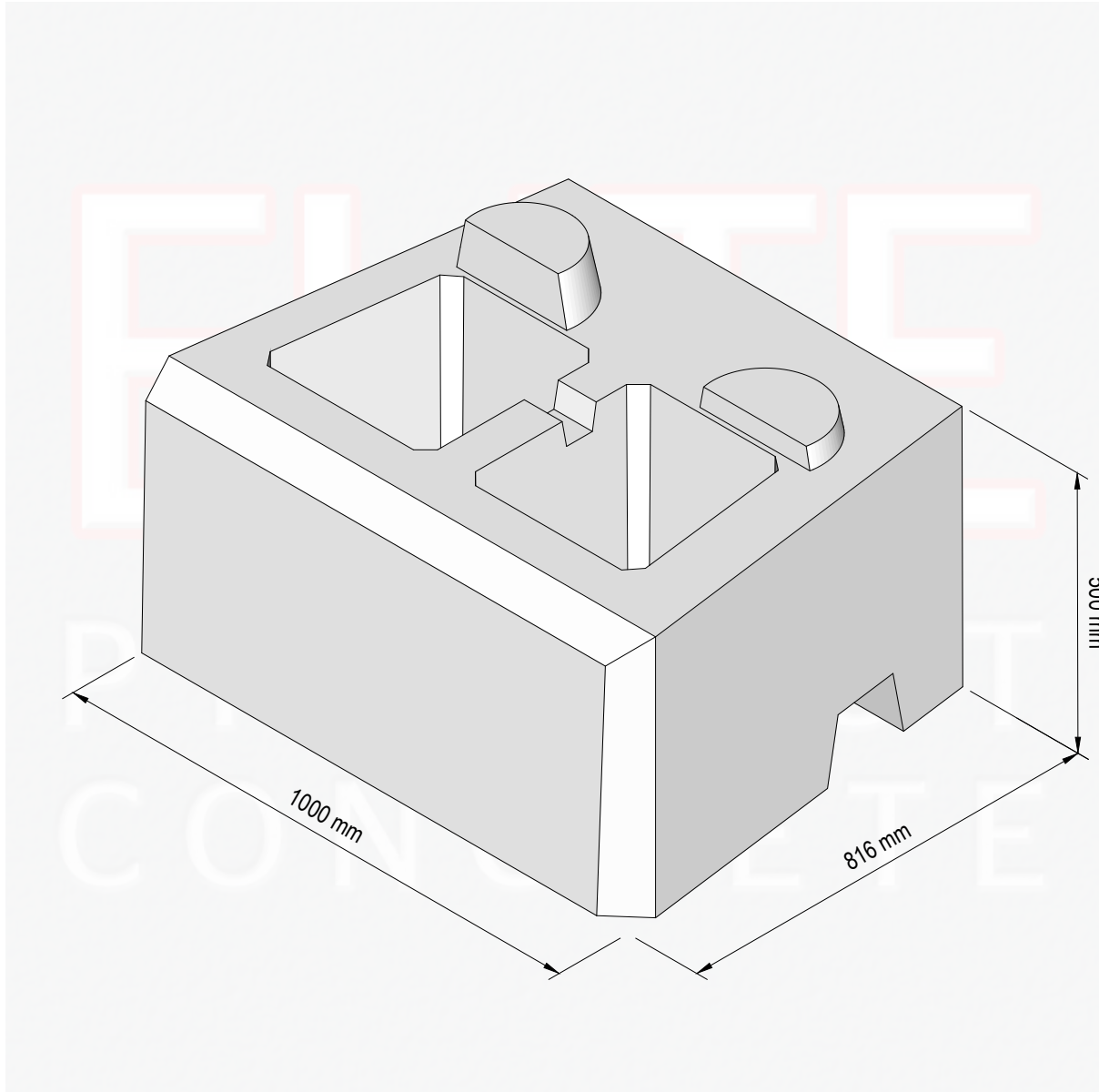


# Hollow Block - Liscio - Product Code RRC11-H



**Approx. Weight : 567kg**

						O	05.01.24	For Information.		CTC	RMD				
REV	DATE	REASON FOR ISSUE	DRN	APP	REV	DATE	REASON FOR ISSUE	DRN	APP						
TITLE									ELITE PRECAST CONCRETE LTD HALESFIELD 9, TELFORD SHROPSHIRE TF7 4QW <a href="http://www.eliteprecast.co.uk">www.eliteprecast.co.uk</a>						
		DRN	CTC	CHKD	PJC	DATE	05-01-24	SIZE	A4	SCALE	1:10	DRG	EPC-RRK-011	REV	O