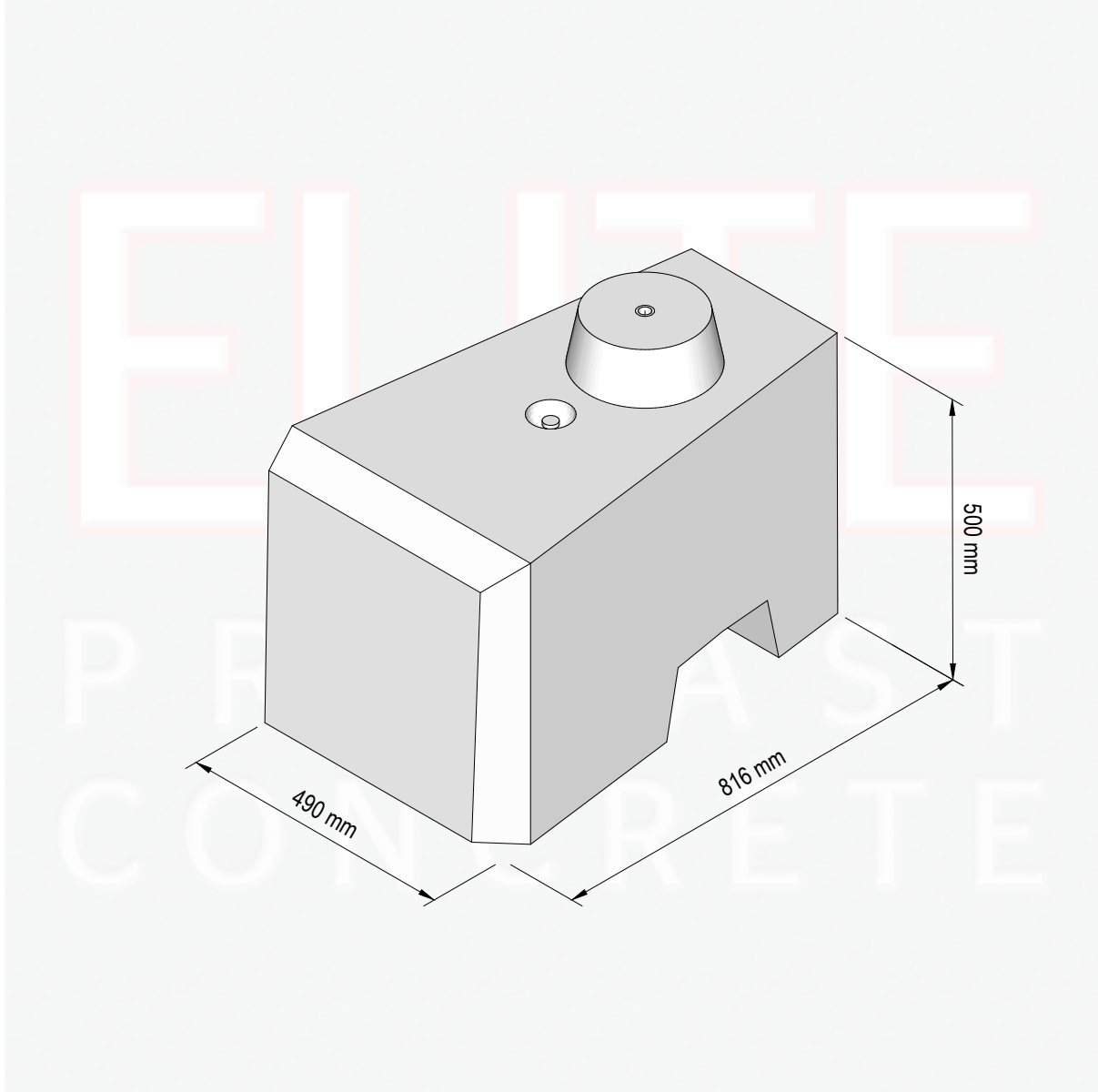


Half Block 1 - Liscio - Product Code RRC2



Approx. Weight : 368kg

REV	DATE	REASON FOR ISSUE	DRN	APP	REV	DATE	REASON FOR ISSUE	DRN	APP			
					O	05.01.24	For Information.					
								CTC	RMD			
TITLE					ELITE PRECAST CONCRETE LTD HALESFIELD 9, TELFORD SHROPSHIRE TF7 4QW www.eliteprecast.co.uk							
												
		DRN	CTC	CHKD	PJC	DATE	05-01-24	SIZE	A4			
							SCALE	1:10	DRG	EPC-RRC2	REV	O