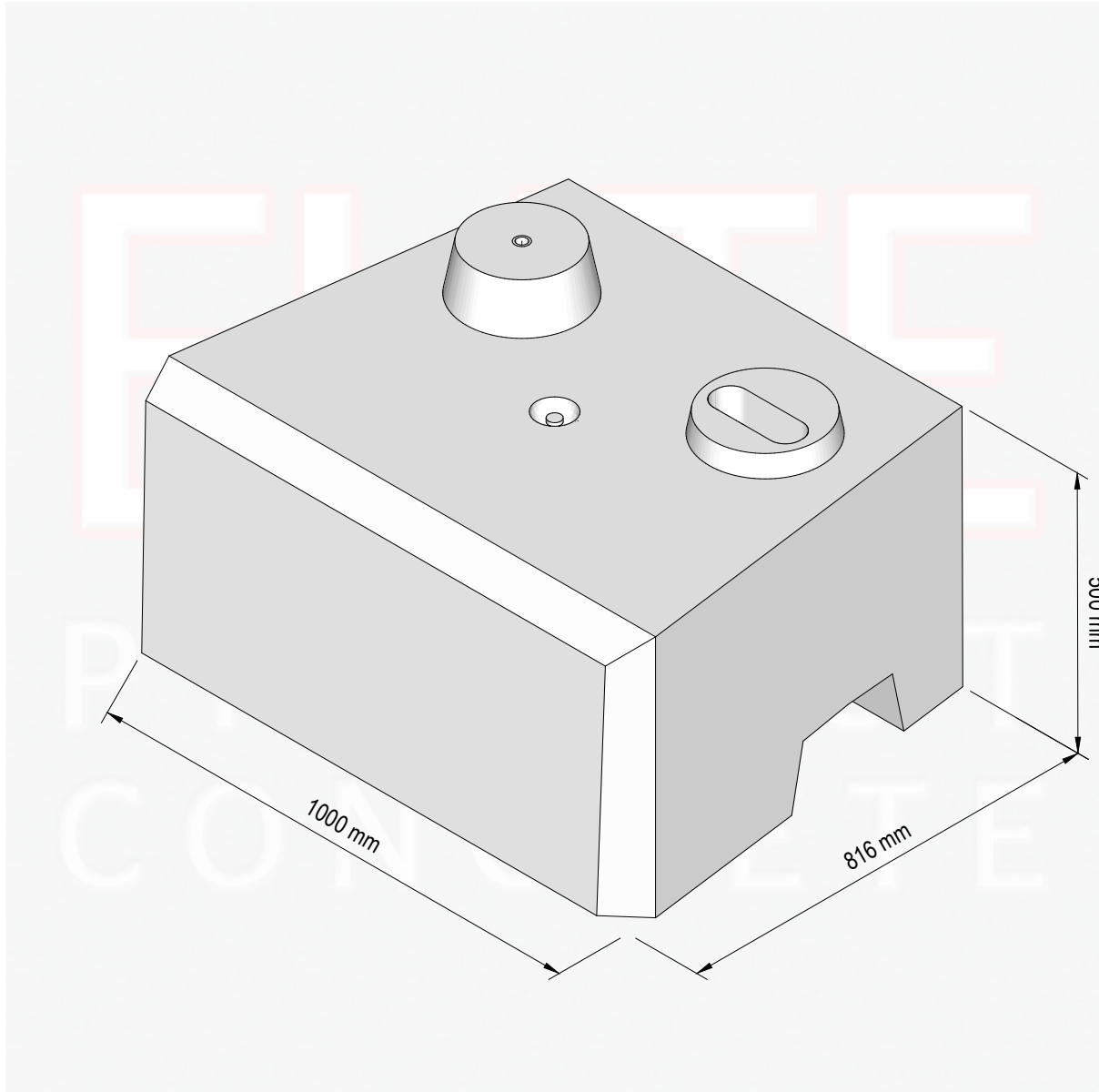


Full Block - Liscio - Product Code RRC1



Approx. Weight : 815kg

						O	05.01.24	For Information.		CTC	RMD				
REV	DATE	REASON FOR ISSUE	DRN	APP	REV	DATE	REASON FOR ISSUE	DRN	APP						
TITLE									ELITE PRECAST CONCRETE LTD HALESFIELD 9, TELFORD SHROPSHIRE TF7 4QW www.eliteprecast.co.uk						
		DRN	CTC	CHKD	PJC	DATE	05-01-24	SIZE	A4	SCALE	1:10	DRG	EPC-RRC1	REV	O